

## Series NU2

AVENTICS Series NU1, are a complete range of plastic fittings with tube nuts, Versatile and safe NU1 plastic fittings with nuts benefit of a large selection of connection type.



## Technical data

|                                  |                       |
|----------------------------------|-----------------------|
| Industry                         | Industrial            |
| Fitting type                     | T-Banjo connection    |
| Compressed air connection type   | External thread       |
| Port G                           | G 1/4                 |
| Compressed air connection type 2 | plug-in with tube nut |
| Port D                           | Ø 6                   |
| Type                             | NU1-S-RTS             |
| Min. working pressure            | 0 bar                 |
| Max. working pressure            | 10 bar                |
| Min. ambient temperature         | -10 °C                |
| Max. ambient temperature         | 60 °C                 |
| Delivery unit                    | 10 piece              |
| Weight                           | 0.019 kg              |

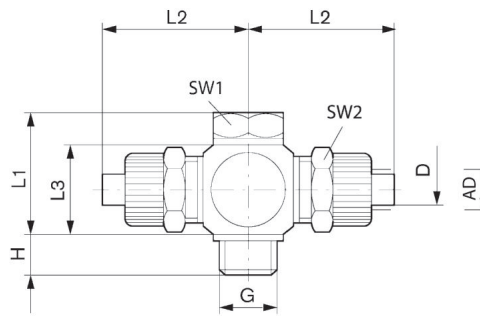
## Material

|                  |                  |
|------------------|------------------|
| Housing material | Polyoxymethylene |
| Part No.         | 1823391109       |

# Series NU1

2024-04-04

1823391109



| Part No.   | Port D | Port G | H   | L1   | L2 | L3   | SW 1 | SW 2 | AD 1) |
|------------|--------|--------|-----|------|----|------|------|------|-------|
| 1823391106 | Ø 4    | G 1/8  | 7   | 20.5 | 25 | 16.3 | 14   | 12   | 6     |
| 1823391107 | Ø 6    | G 1/8  | 7   | 20.5 | 25 | 16.3 | 14   | 14   | 8     |
| 1823391108 | Ø 4    | G 1/4  | 7.5 | 21.5 | 27 | 16.3 | 17   | 12   | 6     |
| 1823391109 | Ø 6    | G 1/4  | 7.5 | 21.5 | 27 | 16.3 | 17   | 14   | 8     |

Connection D = inside diameter of the tubing to be used

1) AD = external diameter of the tubing to be used