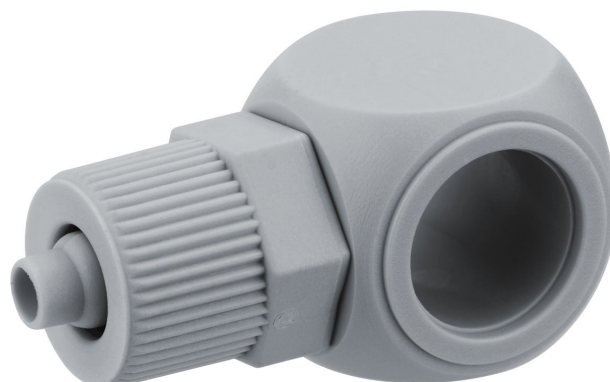


## AVENTICS Series NU1 Fittings with tube nuts

AVENTICS Series NU1, are a complete range of plastic fittings with tube nuts, Versatile and safe NU1 plastic fittings with nuts benefit of a large selection of connection type.



### Technical data

|                          |                |
|--------------------------|----------------|
| Industry                 | Industrial     |
| Fitting type             | 1x banjo union |
| Port G                   | G 1/8          |
| Port D                   | Ø 4            |
| Type                     | NU1-S-RV1      |
| Min. working pressure    | 0 bar          |
| Max. working pressure    | 10 bar         |
| Min. ambient temperature | -10 °C         |
| Max. ambient temperature | 60 °C          |
| Delivery unit            | 25 piece       |

### Material

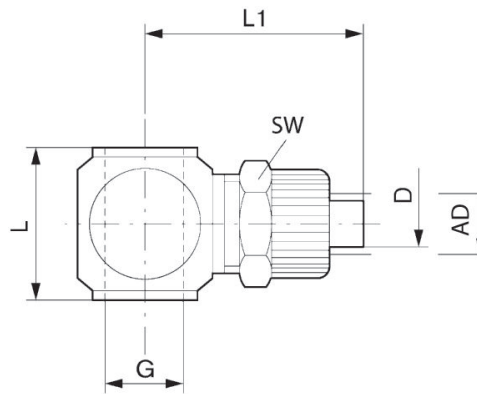
|                  |                  |
|------------------|------------------|
| Housing material | Polyoxymethylene |
| Part No.         | 1823391110       |

### Dimensions

# Series NU1

2024-04-04

1823391110



| Part No.   | Port D | Port G | L    | L1   | SW | AD 1) |
|------------|--------|--------|------|------|----|-------|
| 1823391110 | Ø 4    | G 1/8  | 16.3 | 24.5 | 12 | 4     |
| 1823391111 | Ø 6    | G 1/8  | 16.3 | 24.5 | 14 | 6     |
| 1823391112 | Ø 4    | G 1/4  | 16.3 | 26.5 | 12 | 4     |
| 1823391113 | Ø 6    | G 1/4  | 16.3 | 26.5 | 14 | 6     |

Connection D = inside diameter of the tubing to be used  
1) AD = external diameter of the tubing to be used