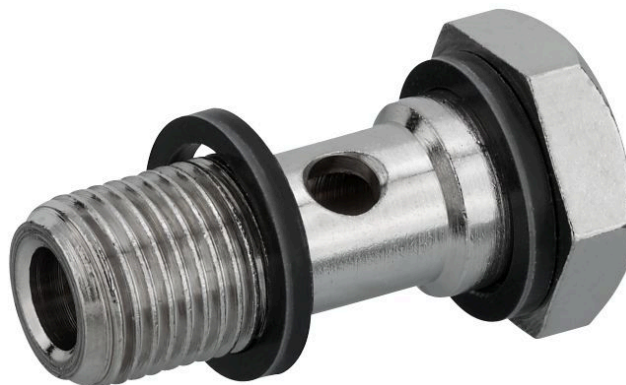


AVENTICS Series NU2 Fittings with tube nuts

AVENTICS Series NU2, are a complete range of plastic and Brass fittings with tube nuts, Versatile and safe NU2 fittings with nuts benefit of a large selection of connection type.



Technical data

Industry	Industrial
Fitting type	1x banjo bolt
Compressed air connection type	External thread
Port G	G 1/8
Compressed air connection type 2	Uncollected
Type	NU2-S-RH1
Medium	Compressed air
Min. working pressure	-0.95 bar
Max. working pressure	15 bar
Min. ambient temperature	0 °C
Max. ambient temperature	80 °C
Delivery unit	10 piece
Weight	0.015 kg

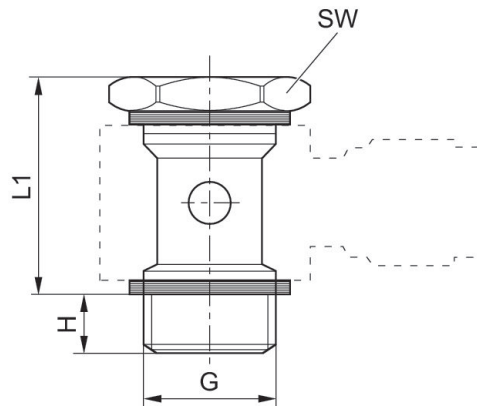
Material

Housing material	Brass
Surface housing	nickel-plated
Seal material	Polyvinyl chloride
Part No.	1823391259

Technical information

Only applicable in combination with QR2-S and NU2-S series banjo unions.

Dimensions



Part No.	Port G	H	L1	SW
1823391259	G 1/8	6.5	21.5	14

Connection D = inside diameter of the tubing to be used