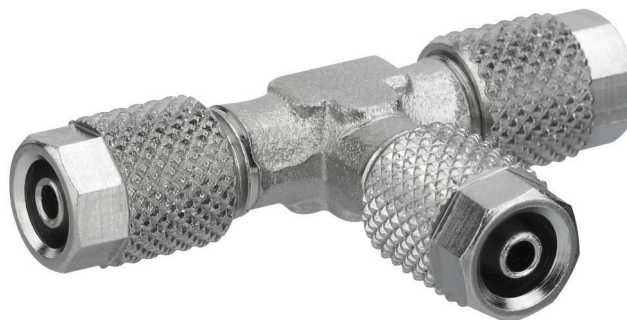


AVENTICS Series NU2 Fittings with tube nuts

AVENTICS Series NU2, are a complete range of plastic and Brass fittings with tube nuts, Versatile and safe NU2 fittings with nuts benefit of a large selection of connection type.



Technical data

| | |
|----------------------------------|-----------------------|
| Industry | Industrial |
| Fitting type | T-connector |
| Compressed air connection type | plug-in with tube nut |
| Port G | Ø 3 |
| Compressed air connection type 2 | plug-in with tube nut |
| Port D | Ø 3 |
| Type | NU2-S-RTK |
| Min. working pressure | -0.95 bar |
| Max. working pressure | 15 bar |
| Min. ambient temperature | -25 °C |
| Max. ambient temperature | 70 °C |
| Delivery unit | 10 piece |
| Weight | 0.012 kg |

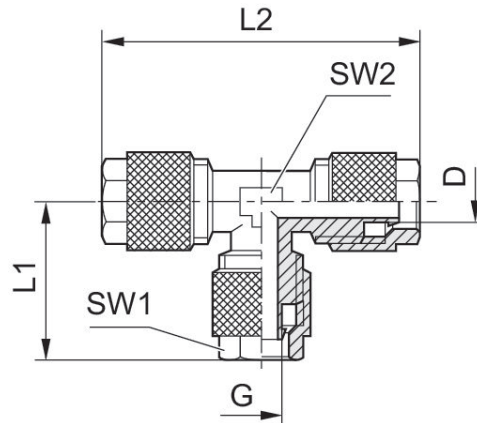
Material

| | |
|------------------|---------------|
| Housing material | Brass |
| Surface housing | nickel-plated |
| Part No. | 1823391794 |

Technical information

For use up to -40 °C when using with compressed air tubing series TU1-S-PAM Ø4x1, Ø6x1, Ø8x1, Ø10x1, Ø12x1.5

Dimensions



| Part No. | Port D | Port G | L1 | L2 | SW 1 | SW 2 |
|------------|--------|--------|------|------|------|------|
| 1823391794 | Ø 3 | Ø 3 | 20.8 | 41.2 | 8 | 8 |
| 1823391795 | Ø 4 | Ø 4 | 20 | 41.2 | 10 | 8 |
| 1823391796 | Ø 6 | Ø 4 | 20 | 40 | 12 | 9 |
| 1823391797 | Ø 6 | Ø 6 | 20 | 41 | 12 | 9 |
| 1823391798 | Ø 8 | Ø 4 | 19 | 44 | 14 | 11 |
| 1823391799 | Ø 8 | Ø 6 | 21 | 44 | 14 | 11 |
| 1823391800 | Ø 8 | Ø 8 | 22.5 | 45.5 | 14 | 11 |

Connection D = inside diameter of the tubing to be used