

## AVENTICS Rotary joints

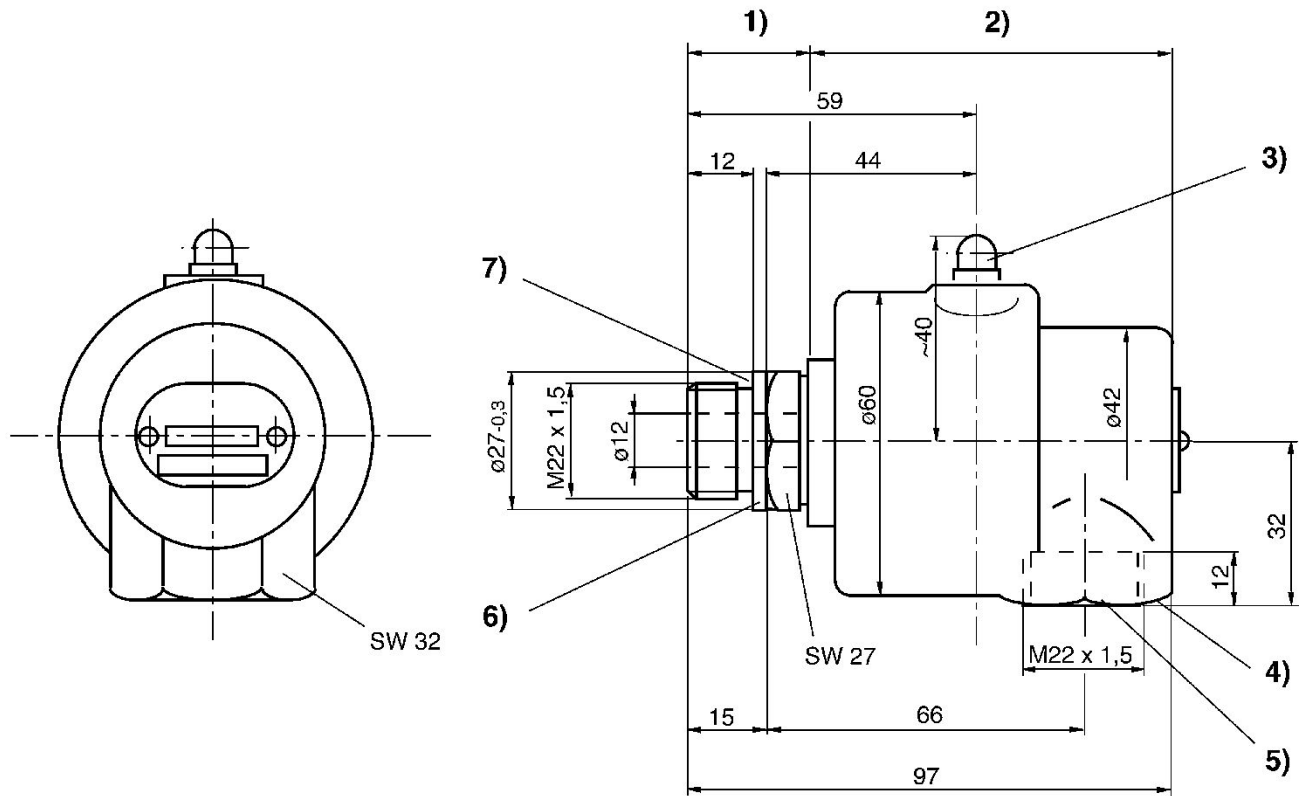
AVENTICS Series Rotary Joints are used to transfer medium from stationary supply lines to rotating or moving machine parts. The compact and sturdy design makes the rotary joints a reliable means of protecting your media supply against mechanical loads.



## Technical data

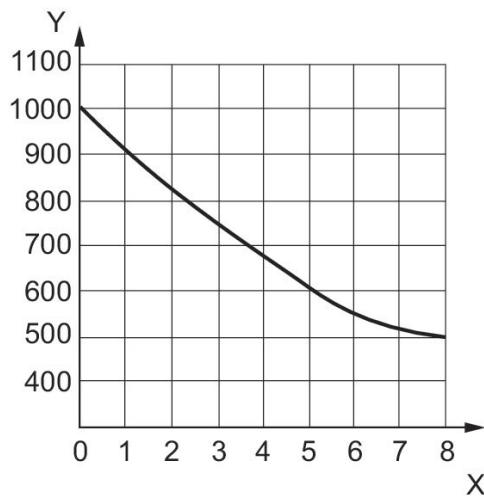
Industry	Industrial
number of controlled lines	1
Rotary joint	M22x1,5, right
Max. speed	1000 1/min
Compressed air connection	M22x1,5
Min. working pressure	0 bar
Max. working pressure	8 bar
Min. medium temperature	-25 °C
Max. medium temperature	40 °C
Medium	Compressed air
Max. speed	1000 1/min
Weight	0.7 kg
Part No.	3531070000

## Dimensions



1) rotor 2) stator 3) tapered grease nipple AM 6 DIN 71 412 4) sealing surface 5) compressed air supply 6) centering 7) sealing surface

## Diagram



The diagram is valid at max. 20°C ambient temperature. x: Working pressure  $p$  [bar] y: Speed  $n$  [rpm]