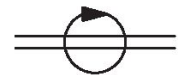


AVENTICS Rotary joints

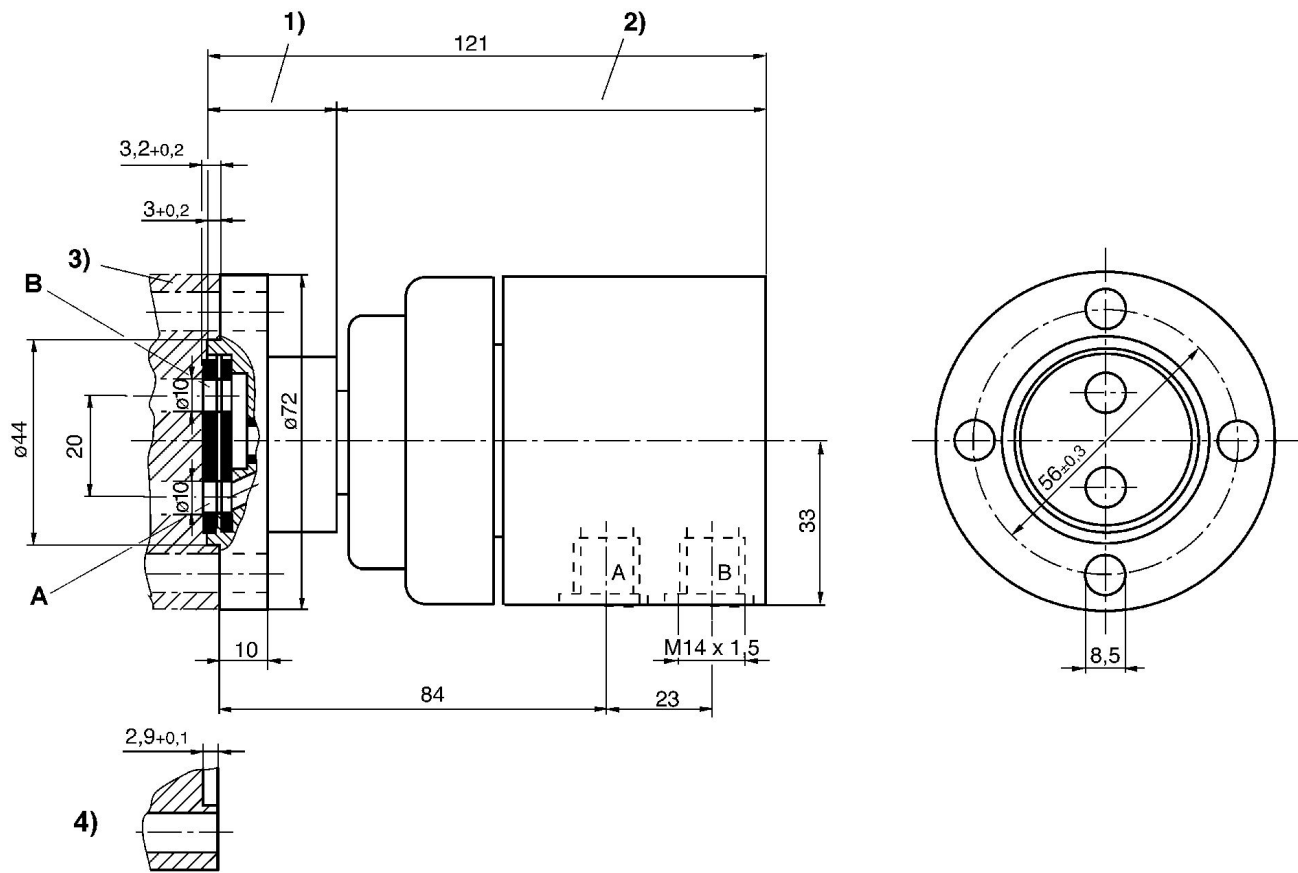
AVENTICS Series Rotary Joints are used to transfer medium from stationary supply lines to rotating or moving machine parts. The compact and sturdy design makes the rotary joints a reliable means of protecting your media supply against mechanical loads.



Technical data

Industry	Industrial
number of controlled lines	2
Rotary joint	Ø6 / Ø8
Max. speed	400 1/min
Compressed air connection	M14x1,5
Min. working pressure	0 bar
Max. working pressure	7 bar
Min. ambient temperature	-25 °C
Max. ambient temperature	40 °C
Medium	Compressed air
Max. speed	400 1/min
Weight	1.5 kg
Part No.	3531060010

Dimensions



1) rotor 2) stator 3) shaft 4) channel depth in shaft
 A = through-hole $\phi 6$
 B = through-hole $\phi 8$