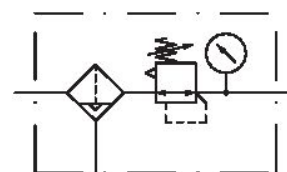


# Filter pressure regulator, Series 653

## G653APJL6GA00HN

### General series information Series 653

- The AVENTICS Series 653 is an easy-to-install line of pneumatic filters, regulators and lubricators (FRLs) that offer the industry's highest flow rates and widest temperature ratings. Available in 1/2-inch, 3/4-inch, and 1-inch port sizes, these FRLs are ideal for automotive and tire, packaging, food and beverage, and process applications requiring highly reliable operation and robust, modern-looking equipment. Available with integrated redundant safe exhaust valve and IIoT enabled air flow sensor.



### Technical data

Industry	Industrial
Parts	Filter pressure regulator
Reservoir	reservoir, metal, with inspection glass
Port	G 1
Nominal flow Qn	10000 l/min
Filter porosity	25 µm
Condensate drain	semi-automatic, open without pressure
Working pressure min.	0 bar
Working pressure max	20 bar
Min. ambient temperature	-20 °C
Max. ambient temperature	50 °C
Regulation range min.	0.5 bar
Regulation range max.	10 bar
Type	1-part
Type	Can be assembled into blocks

Hysteresis	0,4 bar
Medium	Compressed air Neutral gases
Medium temperature note	Extended temperature range min./max. (optional) -40 °C ... 80 °C
Weight	1.56 kg

## Material

Housing material	Aluminum
Seal material	Nitrile butadiene rubber
Material front plate	Polyamide
Material filter insert	Sintered bronze
Material condensate drain	Plastic
Part No.	G653APJL6GA00HN

## Technical information

Max. achievable compressed air class acc. to ISO 8573-1:2010 5 : 8 : 4 (5 µm filter porosity) und 6 : 8 : 4 (25µm filter porosity)

Other filter porosities on request.

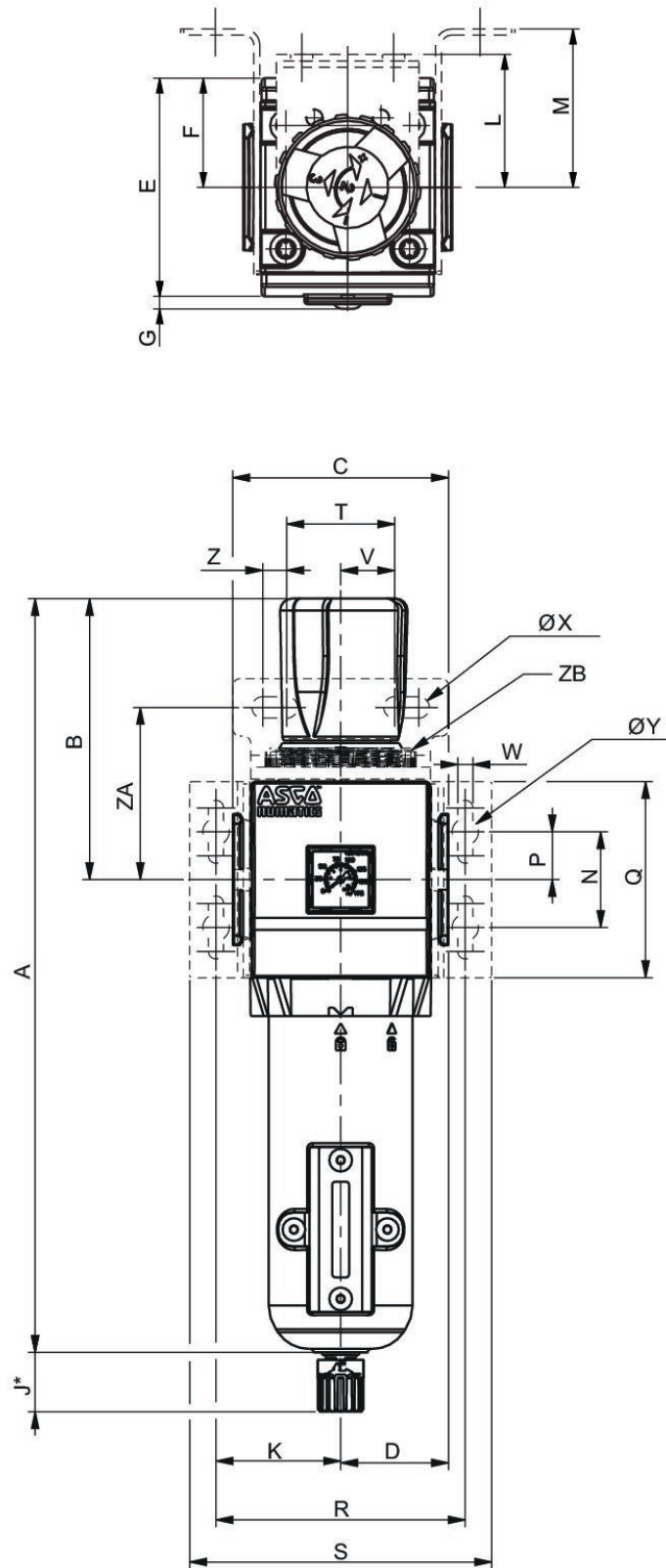
Nominal flow Qn at p1= 10 bar, p2= 6,3 bar and  $\Delta p = 1$  bar

The pressure dew point must be at least 15 °C less than ambient and medium temperature and may not exceed 3 °C.

The oil content of compressed air must remain constant during the life cycle.

Use only the approved oils from AVENTICS. Further information can be found in the "Technical information" document (available in <https://www.emerson.com/en-us/support>).

## Dimensions

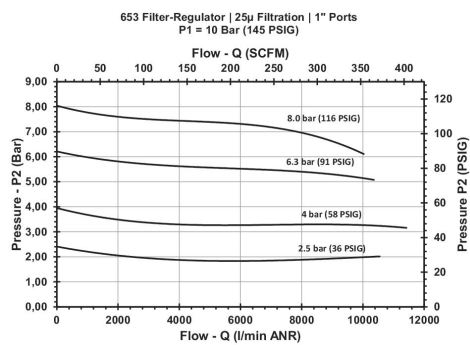


To remove the reservoir, allow a clearance of [[105 mm]] from the bottom of the reservoir drain.

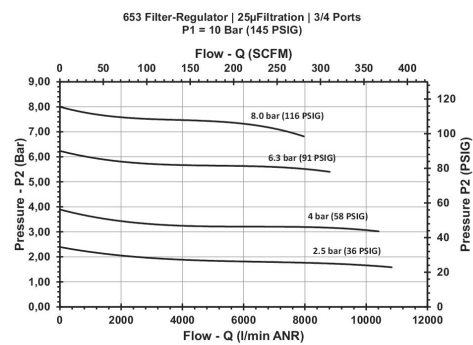
\*Variable dimension based on the type of drain specified, if an automatic drain is specified, add another [[5 mm]] to the "J" dimension.

Series	653
A	329,5
B	132
C	90
D	45
E	93,6
F	46,2
G	2,7
H	158,9
J	25
K	41,75
L	42
M	50
N	20
P	10
Q	61,5
R	84
S	105,5
T	29
V	14,5
W	6,3
X	7
Y	11

Flow diagram  
G 1



Flow diagram  
G 3/4



## Accessories overview

