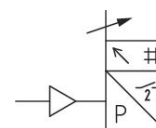


AVENTICS Series PE5 Pressure sensors

The AVENTICS Series PE5 is an electronic pressure sensor, which combines electronic precision and versatile functions with ideal user friendliness.



Technical information

| | |
|-----------------------------------|--|
| Industry | Industrial |
| Output signal | 2 x PNP, NPN, Push-pull |
| Type | electronic |
| Operating pressure min | -1 bar |
| Operating pressure max | 0 bar |
| Protection against overpressure | 5 bar |
| Operational voltage | 17-30 V DC |
| Switching logic | NO/NC (adjustable) |
| Max. shock resistance | 30 g |
| Vibration resistance | 5 g (10 - 150 Hz) |
| Precision (% of full scale value) | ± 0,2 % |
| Hysteresis | adjustable |
| Measurement | Relative pressure |
| Display | LCD display, 4 digits Color setting: green or red |
| Units displayed | bar psi kPa MPa inHg |

Pressure sensor, Series PE5

PE5

R412010760

2024-05-28

| | |
|---------------------------------------|---|
| Compressed air connection | Ø 4 |
| Compressed air connection type | push-in fitting |
| Min. medium temperature | 0 °C |
| Max. medium temperature | 60 °C |
| Medium | Compressed air (max. 40 µm) |
| Certificates | CE declaration of conformity cULus RoHS Conforms with REACH Free of substances that impair surface wetting in the coating process |
| Electrical connection type | Plug |
| Electrical connection size | M12x1 |
| Electrical connection number of poles | 4-pin |
| Min. ambient temperature | 0 °C |
| Max. ambient temperature | 60 °C |
| Max. oil content of compressed air | 40 mg/m ³ |
| Switching time | < 5 ms |
| Resetting point | adjustable 0 ... 100% |
| Switching point | adjustable 0 ... 100% |
| Quiescent current consumption | <40 mA |
| Delayed hysteresis | adjustable |
| Analog output linearity | <± 0.5% of the final value |
| Maximum load (analog current output) | 600 Ω |
| Protection class | IP65 IP67 with connections assembled |
| Short circuit resistance | Max. 600 ohms (current output) Min. 3K ohms (voltage output) |
| Mounting types | Directly on hat rail and wall mounting For panel installation using mounting kit via double nipple |
| Weight | 0.04 kg |
| Material | |
| Housing material | Polycarbonate |
| Seal material | Acrylonitrile butadiene rubber |
| Material electrical connection | Aluminum |
| Part No. | R412010760 |

Technical information

Alternative pressure connection (G1/4) on the rear side (closed with plug)

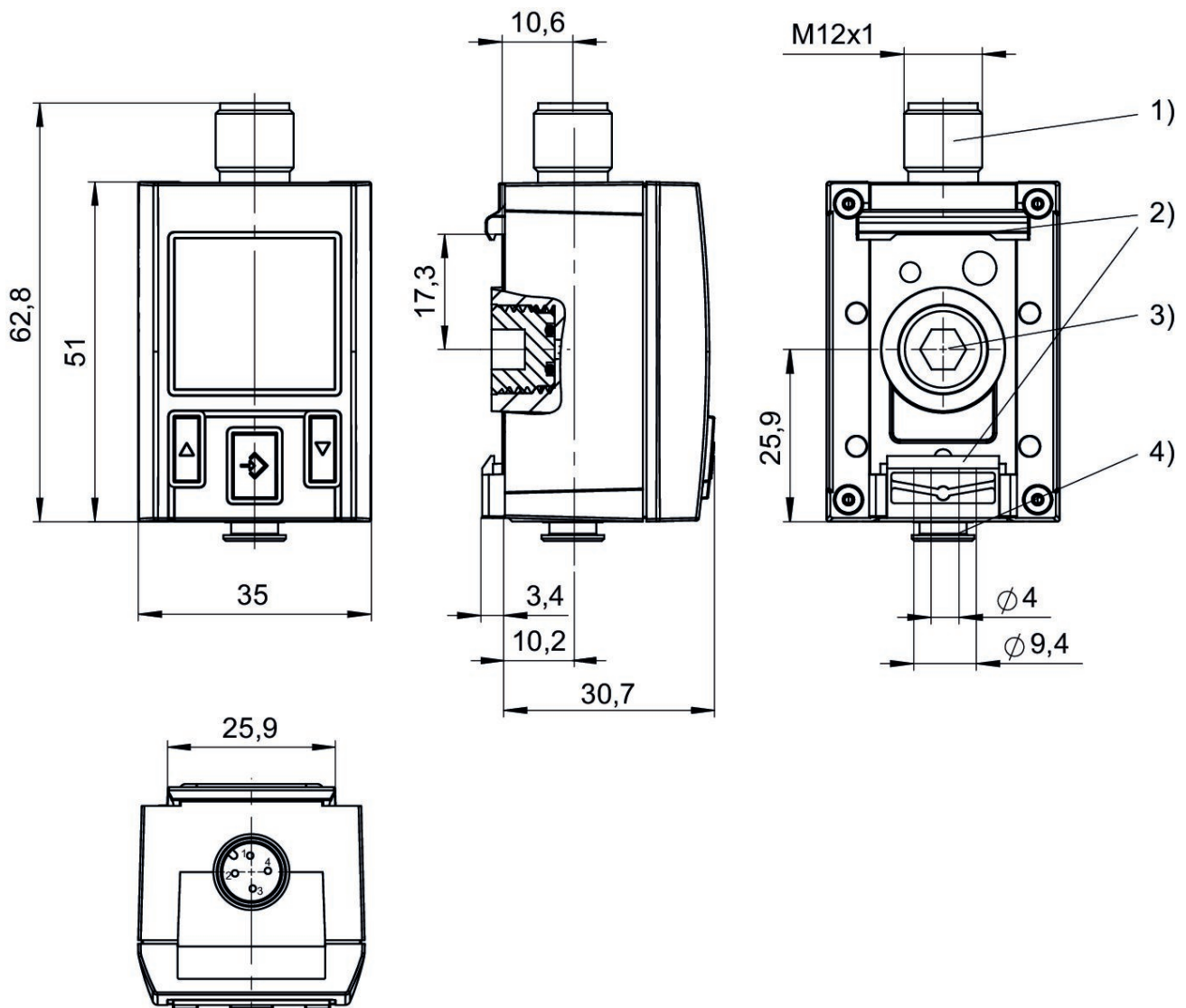
Display color selectable, red or green

The pressure dew point must be at least 15 °C less than ambient and medium temperature and may not exceed 3 °C.

The oil content of compressed air must remain constant during the life cycle.

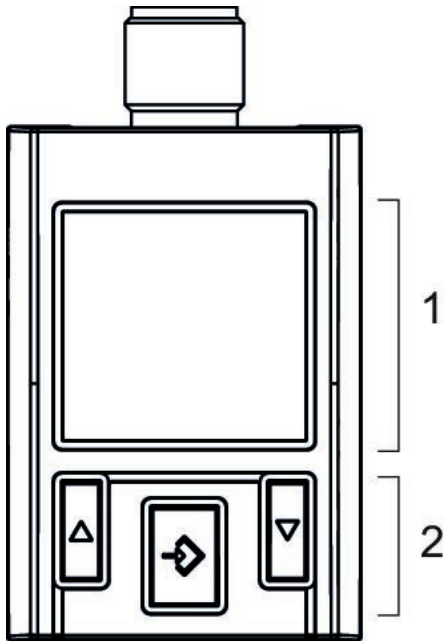
Use only the approved oils from AVENTICS. Further information can be found in the “Technical information” document (available in <https://www.emerson.com/en-us/support>).

push-in fitting



- 1) M12x1 electrical connection
- 2) Mounting for hat rail and wall mounting
- 3) Alternative pressure connection (G1/4) closed with plug
- 4) Pressure connection, tubing $\phi 4$ mm

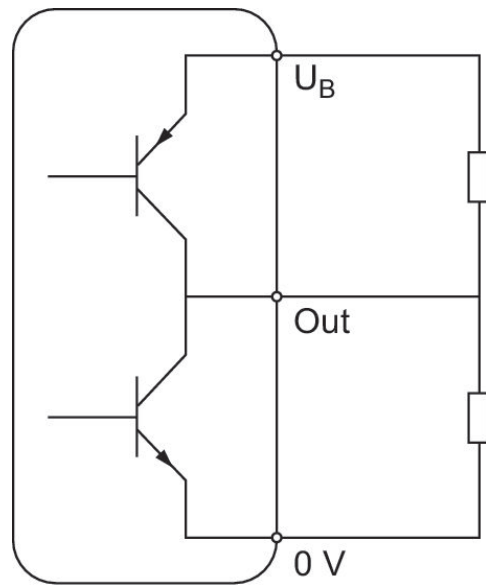
Display and operation area



- 1) LCD display
- 2) Control panel with 3 buttons

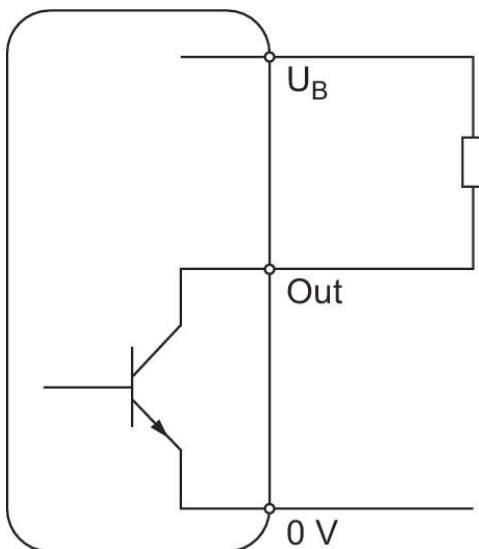
Operating mode

Push-pull



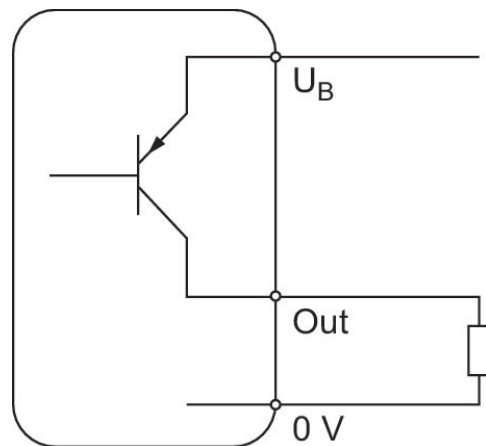
Operating mode

NPN

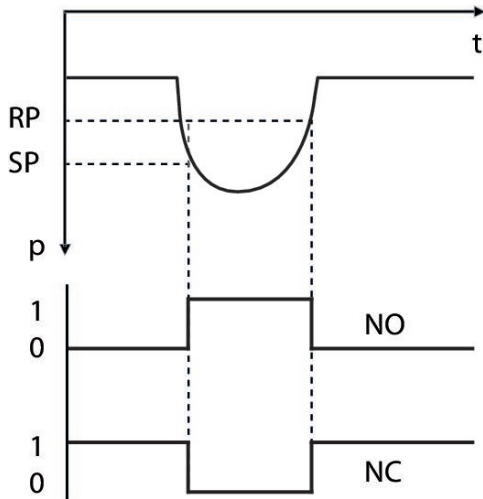


Operating mode

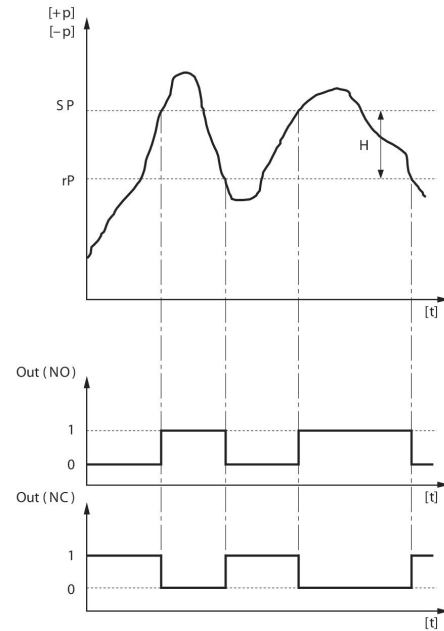
PNP



Hysteresis function: switching and resetting behavior dependent on pressure p and time t
 In case of underpressure



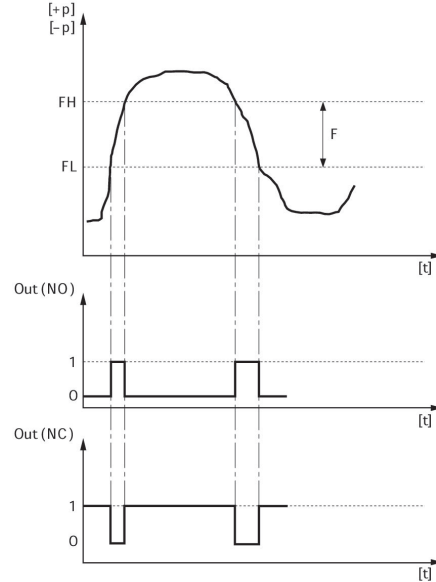
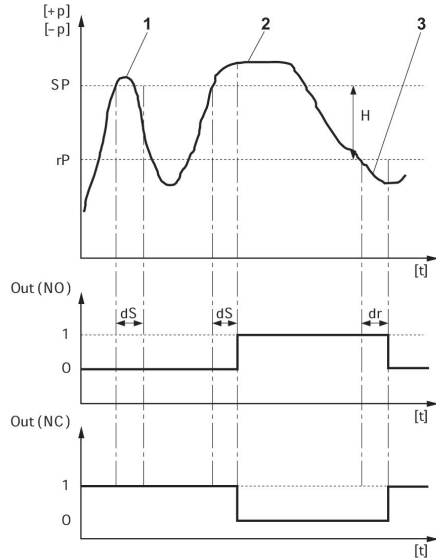
Hysteresis function: switching and resetting behavior dependent on pressure p and time t
 In case of overpressure



H: Hysteresis
 SP = switching point RP = resetting point
 Out (NC): switch output, break contact Out (NO): switch output, make contact

Delayed hysteresis function: switching and resetting behavior depending on pressure p and time t

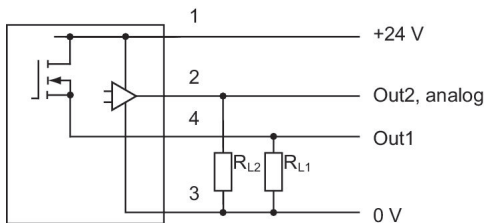
Window function: switching and resetting behavior depending on pressure p and time t



H: Hysteresis
 SP = switching point RP = resetting point
 Out (NC): switch output, break contact Out (NO): switch output, make contact
 dS: switching delay dR = reset delay
 1) period of pressure over the switching point $< dS$: pressure sensor does not switch
 2) Period of pressure over the switching point $> dS$: pressure sensor switches
 3) Period of pressure under the resetting point $> dR$: pressure sensor switches

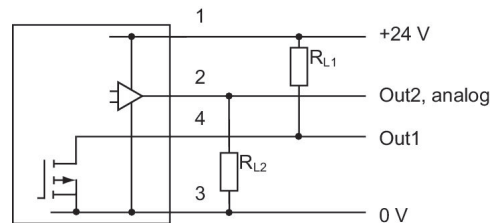
FH: pressure band, upper value
 FL: pressure band, lower value
 Out (NC): switch output, break contact Out (NO): switch output, make contact

Block diagram 1x PNP and 1x analog



RL = storable position

Block diagram 1x NPN and 1x analog



RL = storable position

Pressure sensor, Series PE5

R412010760

PE5

2024-05-28

Pin assignments

M12x1

4-pin

