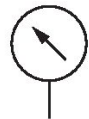


Series PG1 Pressure gauges

With the AVENTICS Series PG1 you can visualize and rely on a clear air pressure display for each of your pneumatic circuits. In addition to the parameters for controlling the air quality, supplying sufficient pressure is the basis for operating a reliable system within machine automation. Emerson offers mechanical pressure gauges that can be integrated into machines for diverse applications and air preparation systems. The specifications of the individual versions in the universal PG1 Series provide a selection of options, such as appearance, material, or the required type of mounting.



Technical data

Industry	Industrial
Pressure gauge version	Bourdon tube pressure gauge Back port with adjustable work area display
Standardization	EN 837-1
Class	2,5
Compressed air connection	G 1/4
Nominal diameter	50 mm
Scale value	0.1
Min. range of application	0 bar
Max. range of application	3.2 bar
Min. display range	0 bar
Max. display range	4 bar
Min. working pressure	0 bar
Max. working pressure	4 bar
Min. ambient temperature	-40 °C
Max. ambient temperature	60 °C
Medium	Compressed air
Background color	Black
Main scale unit (outside)	bar

Pressure gauge, Series PG1-SAS-ADJ

2024-05-22

R412007869

Main scale color (outside)	White
Secondary scale unit (inside)	psi
Secondary scale color (inside)	Grey
Work Area Display, Color	Red Green
Pointer color	White
Weight	0.1 kg

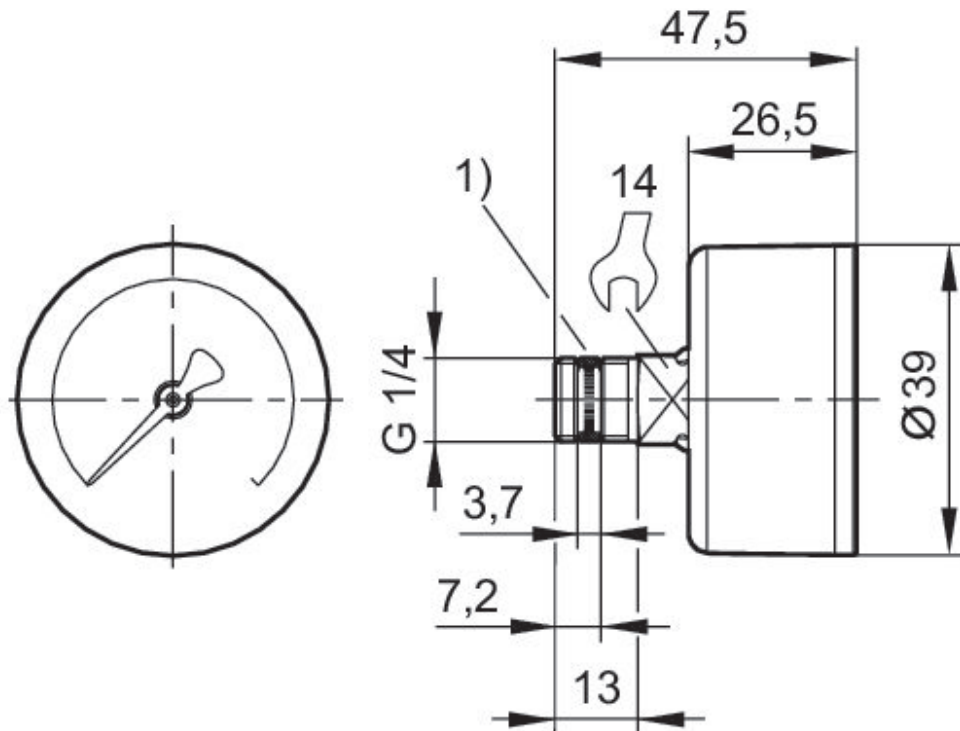
Material

Housing material	Acrylonitrile butadiene styrene
Material viewing window	Polystyrene
Material thread	Brass
Seal material	Polytetrafluorethylene
	R412007869

Technical information

To set the operating range, the cover (inspection glass) must be removed. To do this, carefully lift the inspection glass by inserting a pointed or flat object in the slot provided for this purpose on the housing circumference.

Dimensions in mm



1) Gasket thread

Dimensions in mm

	Compressed air connection	Nominal diameter	$\varnothing A$	B	C	D	E	F	SW
R412007867	G 1/4	50	49	47.5	26.5	13	7.2	3.7	14
R412007868	G 1/4	50	49	47.5	26.5	13	7.2	3.7	14
R412007869	G 1/4	50	49	47.5	26.5	13	7.2	3.7	14
R412007870	G 1/4	50	49	47.5	26.5	13	7.2	3.7	14
R412007871	G 1/4	50	49	47.5	26.5	13	7.2	3.7	14
R412007872	G 1/4	50	49	47.5	26.5	13	7.2	3.7	14