

Series PG1 Pressure gauges

With the AVENTICS Series PG1 you can visualize and rely on a clear air pressure display for each of your pneumatic circuits. In addition to the parameters for controlling the air quality, supplying sufficient pressure is the basis for operating a reliable system within machine automation. Emerson offers mechanical pressure gauges that can be integrated into machines for diverse applications and air preparation systems. The specifications of the individual versions in the universal PG1 Series provide a selection of options, such as appearance, material, or the required type of mounting.



Technical data

| | |
|----------------------------|--|
| Industry | Industrial |
| Pressure gauge version | Bourdon tube pressure gauge Back port |
| Standardization | EN 837-1 |
| Class | 2,5 |
| Compressed air connection | G 1/4 |
| Nominal diameter | 50 mm |
| Scale value | 0.1 |
| Min. range of application | 0 bar |
| Max. range of application | 3.2 bar |
| Min. display range | 0 bar |
| Max. display range | 4 bar |
| Min. working pressure | 0 bar |
| Max. working pressure | 4 bar |
| Min. ambient temperature | -40 °C |
| Max. ambient temperature | 60 °C |
| Medium | Compressed air |
| Background color | Black |
| Main scale unit (outside) | bar |
| Main scale color (outside) | White |

Pressure gauge, Series PG1-SAS

PG1

R412004415

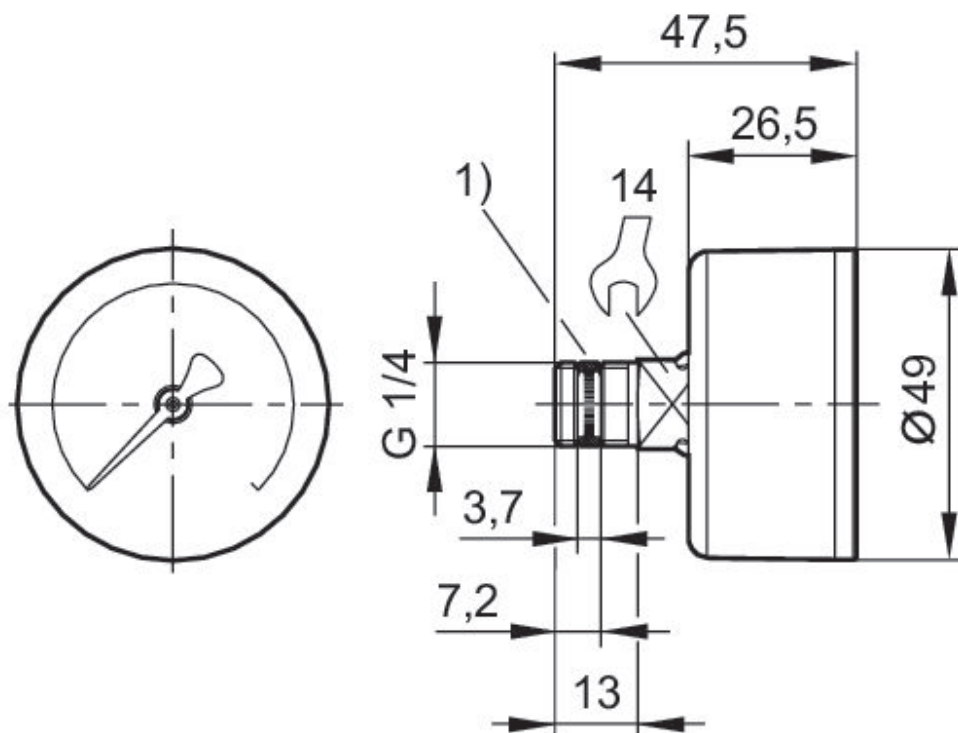
2024-05-22

| | |
|--------------------------------|---------|
| Secondary scale unit (inside) | psi |
| Secondary scale color (inside) | Grey |
| Pointer color | White |
| Weight | 0.09 kg |

Material

| | |
|-------------------------|---------------------------------|
| Housing material | Acrylonitrile butadiene styrene |
| Material viewing window | Polystyrene |
| Material thread | Brass |
| Seal material | Polytetrafluorethylene |
| | R412004415 |

Dimensions in mm



1) Gasket thread