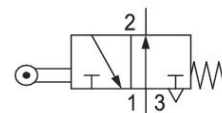
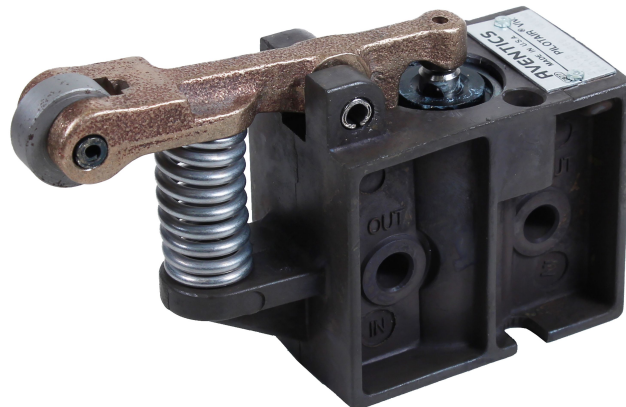


Series A-Pilotair®

Qn max. [[1299] l/min]
Mechanically operated



Technical data

Industry	Industrial
Activation	Mechanical
Type	2-CA-1B Roller lever, one-way trip NO
Valve type	Poppet valve
Valve function	NO
Actuating element	Roller lever, one-way trip
Sealing principle	Soft seal
Compressed air connection input	1/4 - 18 NPT
Compressed air connection output	1/4 - 18 NPT
Nominal flow Qn	1300 l/min
Nominal flow Qn 1 to 2	17.2 l/min
Min. working pressure	0 bar
Max. working pressure	13.7 bar
Min. control pressure	0 bar
Max. control pressure	17.3 bar
Max. input pressure	17.2 bar
Min. ambient temperature	-40 °C

R431004673

Max. ambient temperature	93 °C
Min. medium temperature	-40 °C
Max. medium temperature	93 °C
Medium	Compressed air
Min. oil content of compressed air	0 mg/m ³
Max. oil content of compressed air	1 mg/m ³
Max. particle size	40 µm

Weight	0.45 kg
--------	---------

Material

Housing material	Die-cast aluminum
Part No.	R431004673

Technical information

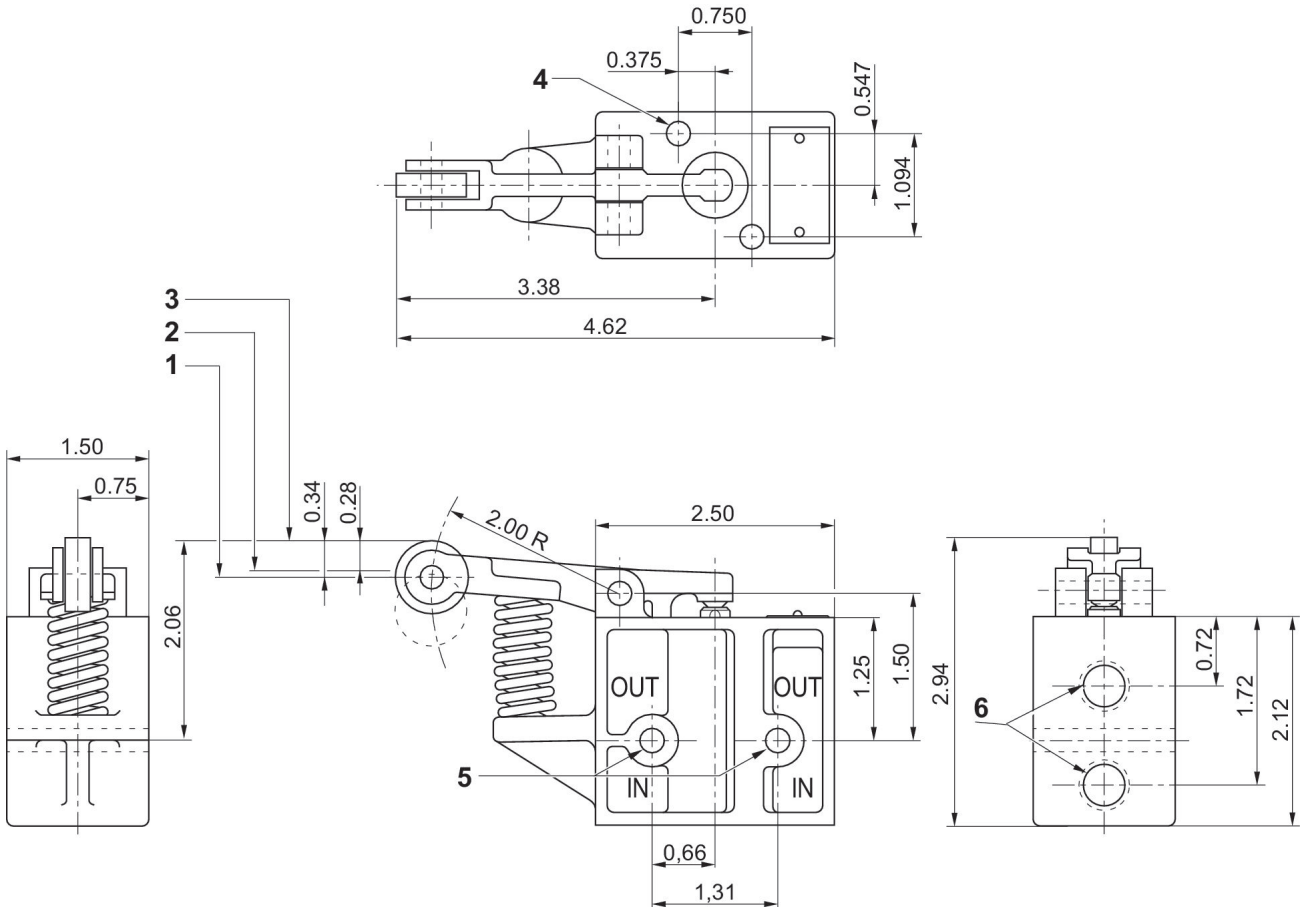
The min. control pressure must be adhered to, since otherwise faulty switching and valve failure may result!

The pressure dew point must be at least 15 °C less than ambient and medium temperature and may not exceed 3 °C.

The oil content of compressed air must remain constant during the life cycle.

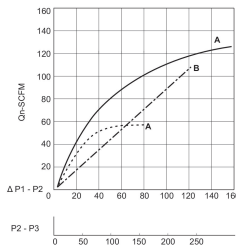
Use only the approved oils from AVENTICS. Further information can be found in the "Technical information" document (available in <https://www.emerson.com/en-us/support>).

Dimensions in inches



- 1) Mounting hole Ø26
- 2) Full on position
- 3) Air off position
- 4) Air on position
- 5) Mounting hole Ø26
- 6) 1/4 - 18 NPTF

Flow diagram



- A) $p_1 = 200$
- A) $p_1 = 80$
- B) ($p_1 - p_2$) Port 1 (input) # Port 2 (Output)
- ($p_2 - p_3$) Port 2 (Output) # Port 3 (Exhaust)