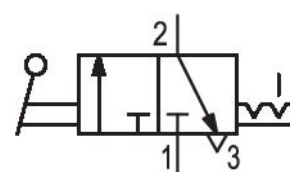


3/2-directional valve, Series A-Pilotair®

R431005001

General series information
AVENTICS Series A-Pilotair Directional valves

- manually operated



Technical data

Industry	Industrial
Type	2-HA-1LR
Activation	Manual
Nominal flow Qn	1308.72 l/min
Compressed air connection output	Ø 1/4"
Working pressure min.	0 bar
Working pressure max.	13.7 bar
Sealing principle	Soft Seal
Type	Poppet valve
Type	With latch
Version	2-HA-1LR
Control pressure min.	0 bar
Control pressure max.	17.3 bar
Min. ambient temperature	-40 °C
Max. ambient temperature	71 °C

Min. medium temperature	-40 °C
Max. medium temperature	71 °C
Medium	Compressed air
Oil content of compressed air min.	0 mg/m ³
Oil content of compressed air max.	1 mg/m ³
Max. particle size	50 µm
Compressed air connection input	Ø 1/4"
Weight	0.68 kg
Housing material	Die-cast aluminum
Surface housing	chromated
Surface front cover	chromated
Part No.	R431005001

Technical information

The model 2-HA-1R, 2-HA-1LR and 2-HA-1RW Valves are the same as the 2-HA-1 and 2-HA -1L models except that the cam is reversed to obtain pull instead of push operation. The 2-HA-1R model may also be mounted with the handle on the left-hand side for tandem push operation with the 2-HA-1 model.

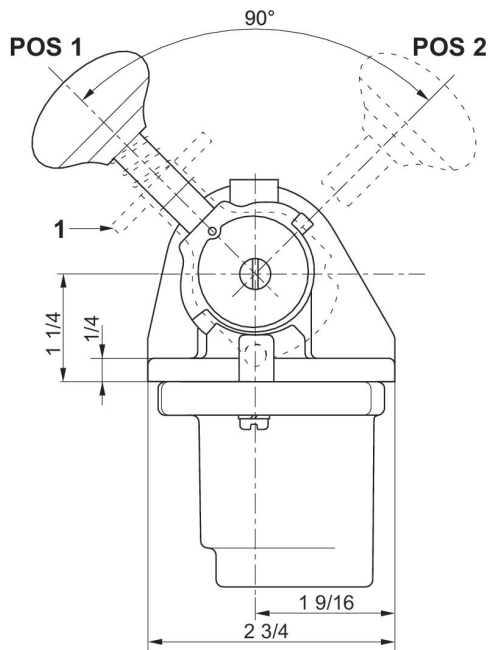
The min. control pressure must be adhered to, since otherwise faulty switching and valve failure may result!

The pressure dew point must be at least 15 °C less than ambient and medium temperature and may not exceed 3 °C.

The oil content of compressed air must remain constant during the life cycle.

Use only the approved oils from AVENTICS. Further information can be found in the "Technical information" document (available in <https://www.emerson.com/en-us/support>).

Handle position



1) Optional Handle Latch

Handle position

Handle position	1	2
Out Port Supplied	X	

X denotes port supplied in that position. Empty block denotes port exhausted in that position.