

3/2-directional valve, Series A-Pilotair®

R431005820

General series information
AVENTICS Series A-Pilotair Directional valves

- manually operated



Technical data

| | |
|----------------------------------|------------------------------|
| Industry | Industrial |
| Type | 2-HA-2 2-HA-2L 2-HA-2Z |
| Activation | Manual |
| Nominal flow Q _n | 1308.72 l/min |
| Compressed air connection output | Ø 1/4" |
| Working pressure min. | 0 bar |
| Working pressure max. | 13.7 bar |
| Manual override | with detent |
| Sealing principle | Soft Seal |
| Type | Poppet valve |
| Type | 2-HA-2 |
| Control pressure min. | 0 bar |
| Control pressure max. | 17.3 bar |
| Min. ambient temperature | -40 °C |
| Max. ambient temperature | 71 °C |
| Min. medium temperature | -40 °C |
| Max. medium temperature | 71 °C |

| | |
|------------------------------------|---------------------|
| Medium | Compressed air |
| Oil content of compressed air min. | 0 mg/m ³ |
| Oil content of compressed air max. | 1 mg/m ³ |
| Max. particle size | 50 µm |
| Compressed air connection input | Ø 1/4" |
| Weight | 0.91 kg |
| Housing material | Die-cast aluminum |
| Part No. | R431005820 |

Technical information

The 2-HA-2 PILOTAIR valves are panel-mounted, 2, 3 and 5 position valves with one inlet and two outlet ports. Available with detents in each handle position, a latching handle that requires manual release to insure against unintentional operation*, or spring return to center position. All ports are 1/4" NPT.

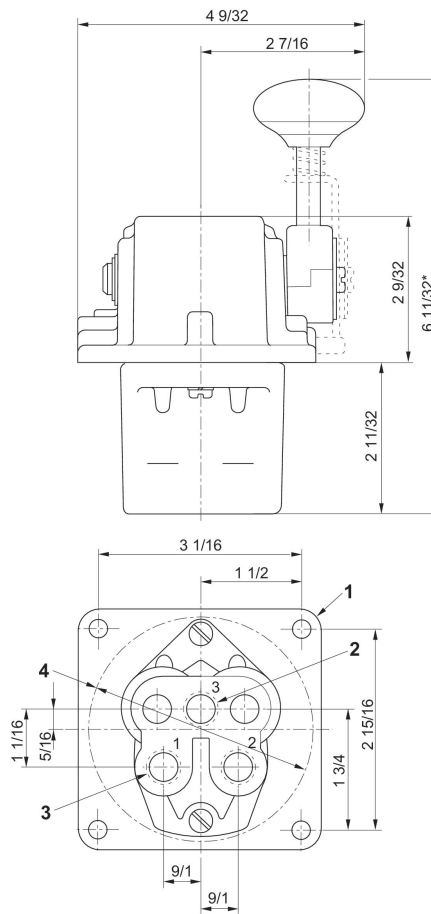
The min. control pressure must be adhered to, since otherwise faulty switching and valve failure may result!

The pressure dew point must be at least 15 °C less than ambient and medium temperature and may not exceed 3 °C.

The oil content of compressed air must remain constant during the life cycle.

Use only the approved oils from AVENTICS. Further information can be found in the "Technical information" document (available in <https://www.emerson.com/en-us/support>).

Dimensions in inches



1) $\frac{9}{32}$ diameter (4) places

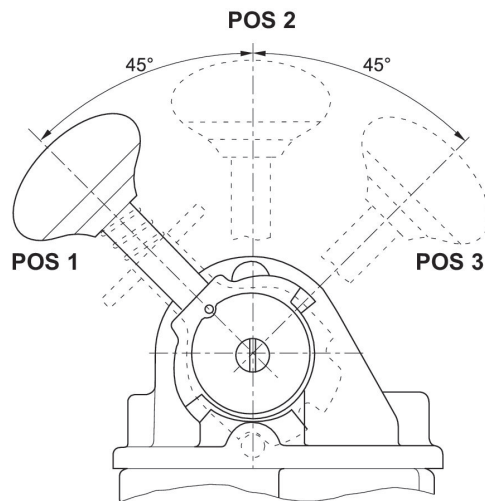
2) Air supply

3) panel mounting hole $\varnothing 3 \frac{3}{8}$

4) $\frac{1}{4}$ - 18 NPTF

*Also available with handle 2" longer

3-position handle, detented



Handle position

| Handle position | | 1 | 2 | 3 |
|-------------------|------------|---|---|---|
| Out Port Supplied | OUT port 1 | | | X |
| Out Port Supplied | OUT port 2 | X | | |

X denotes port supplied in that position. Empty block denotes port exhausted in that position.