

3/2-directional valve, Series A-Pilotair®

R431005007

General series information
AVENTICS Series A-Pilotair Directional valves

- manually operated



Technical data

Industry	Industrial
Type	2-HA-2 2-HA-2L 2-HA-2Z
Activation	Manual
Nominal flow Q _n	1308.72 l/min
Compressed air connection output	Ø 1/4"
Working pressure min.	0 bar
Working pressure max.	13.7 bar
Manual override	with detent
Sealing principle	Soft Seal
Type	Poppet valve
Type	2-HA-2L
Control pressure min.	0 bar
Control pressure max.	17.3 bar
Min. ambient temperature	-40 °C
Max. ambient temperature	71 °C
Min. medium temperature	-40 °C
Max. medium temperature	71 °C

Medium	Compressed air
Oil content of compressed air min.	0 mg/m ³
Oil content of compressed air max.	1 mg/m ³
Max. particle size	50 µm
Compressed air connection input	Ø 1/4"
Weight	0.91 kg
Housing material	Die-cast aluminum
Surface housing	black painted
Part No.	R431005007

Technical information

The 2-HA-2 PILOTAIR valves are panel-mounted, 2, 3 and 5 position valves with one inlet and two outlet ports. Available with detents in each handle position, a latching handle that requires manual release to insure against unintentional operation*, or spring return to center position. All ports are 1/4" NPT.

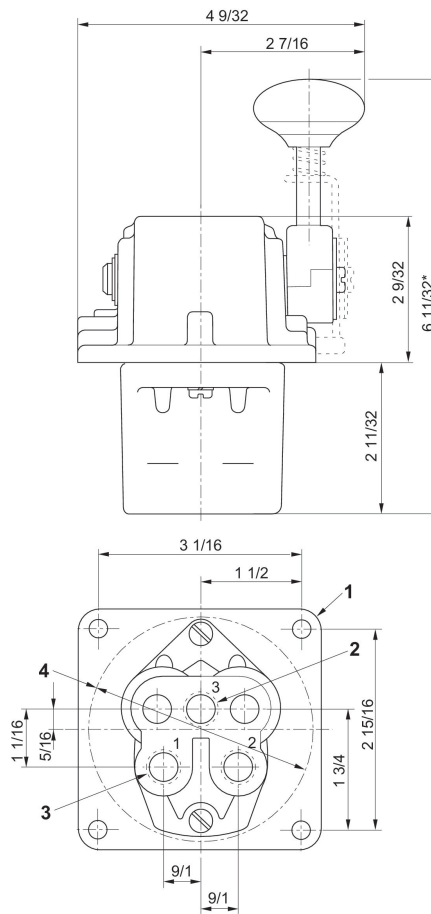
The min. control pressure must be adhered to, since otherwise faulty switching and valve failure may result!

The pressure dew point must be at least 15 °C less than ambient and medium temperature and may not exceed 3 °C.

The oil content of compressed air must remain constant during the life cycle.

Use only the approved oils from AVENTICS. Further information can be found in the "Technical information" document (available in <https://www.emerson.com/en-us/support>).

Dimensions in inches



1) $\frac{9}{32}$ diameter (4) places

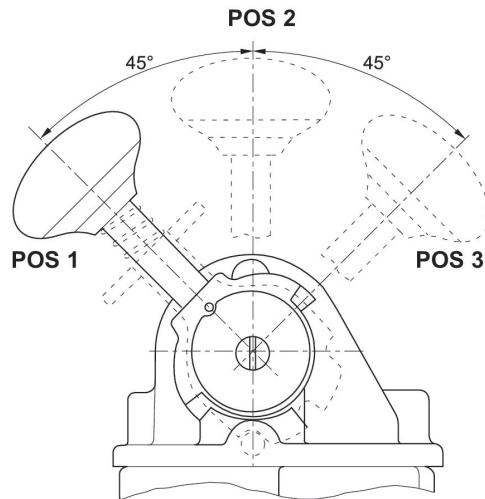
2) Air supply

3) panel mounting hole $\varnothing 3 \frac{3}{8}$

4) $\frac{1}{4}$ - 18 NPTF

*Also available with handle 2" longer

3-position handle, detented



Handle position

Handle position		1	2	3
Out Port Supplied	OUT port 1			X
Out Port Supplied	OUT port 2	X		

X denotes port supplied in that position. Empty block denotes port exhausted in that position.