

# 3/2-directional valve, Series A-Pilotair®

## R431005020

General series information  
AVENTICS Series A-Pilotair Directional valves

- manually operated



### Technical data

Industry	Industrial
Type	2-HA-2X 2-HA-2LX
Activation	Manual
Nominal flow Qn	1308.72 l/min
Compressed air connection output	Ø 1/4"
Working pressure min.	0 bar
Working pressure max	13.7 bar
Manual override	with detent
Sealing principle	Soft Seal
Type	Poppet valve
Version	2-HA-2X
Control pressure min.	0 bar
Control pressure max.	17.3 bar
Min. ambient temperature	-40 °C
Max. ambient temperature	71 °C
Min. medium temperature	-40 °C
Max. medium temperature	71 °C
Medium	Compressed air

Oil content of compressed air min.	0 mg/m <sup>3</sup>
Oil content of compressed air max.	1 mg/m <sup>3</sup>
Max. particle size	50 µm
Compressed air connection input	Ø 1/4"
Weight	0.91 kg
Part No.	R431005020

## Technical information

The 2-HA-2 PILOTAIR valves are panel-mounted, 2, 3 and 5 position valves with one inlet and two outlet ports. Available with detents in each handle position, a latching handle that requires manual release to insure against unintentional operation\*, or spring return to center position. All ports are 1/4" NPT.

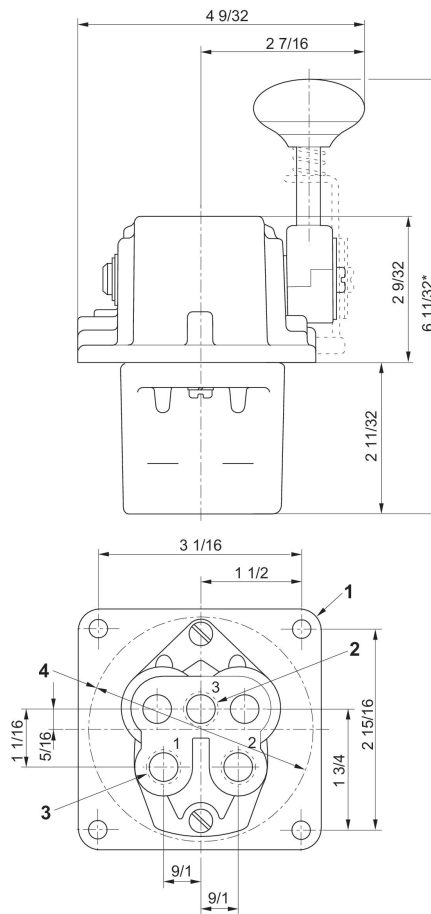
The min. control pressure must be adhered to, since otherwise faulty switching and valve failure may result!

The pressure dew point must be at least 15 °C less than ambient and medium temperature and may not exceed 3 °C.

The oil content of compressed air must remain constant during the life cycle.

Use only the approved oils from AVENTICS. Further information can be found in the "Technical information" document (available in <https://www.emerson.com/en-us/support>).

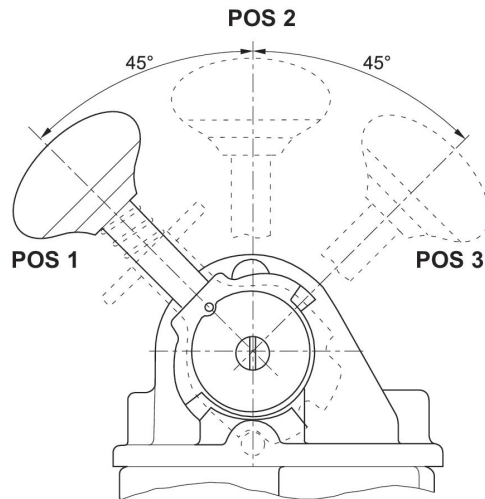
## Dimensions in inches



- 1)  $\frac{9}{32}$  diameter (4) places
- 2) Air supply
- 3) panel mounting hole  $\varnothing 3 \frac{3}{8}$
- 4)  $\frac{1}{4}$  - 18 NPTF

\*Also available with handle 2" longer

**3-position handle, detented**



## Handle position

Handle position		1	2	3
Out Port Supplied	OUT port 1			X
Out Port Supplied	OUT port 2		X	X

X denotes port supplied in that position. Empty block denotes port exhausted in that position.