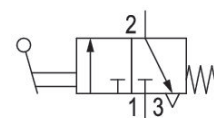


## Series A-Pilotair®

Qn max. [[1299] l/min]  
Mechanically operated



## Technical data

Industry	Industrial
Activation	Mechanical
Type	2-LA-1A With hand lever, normally closed
Valve type	Poppet valve
Valve function	NC
Sealing principle	Soft seal
Compressed air connection input	1/4 - 18 NPTF
Compressed air connection output	1/2-14 NPTF
Nominal flow Qn	1300 l/min
Min. working pressure	0 bar
Max. working pressure	17.3 bar
Min. control pressure	0 bar
Max. control pressure	13.7 bar
Max. input pressure	17.2 bar
Min. ambient temperature	-40 °C
Max. ambient temperature	93 °C
Min. medium temperature	-40 °C

Max. medium temperature	93 °C
Medium	Compressed air
Min. oil content of compressed air	0 mg/m <sup>3</sup>
Max. oil content of compressed air	1 mg/m <sup>3</sup>
Max. particle size	40 µm
Weight	0.43 kg

## Material

Housing material	Die-cast aluminum
Part No.	R431004675

## Technical information

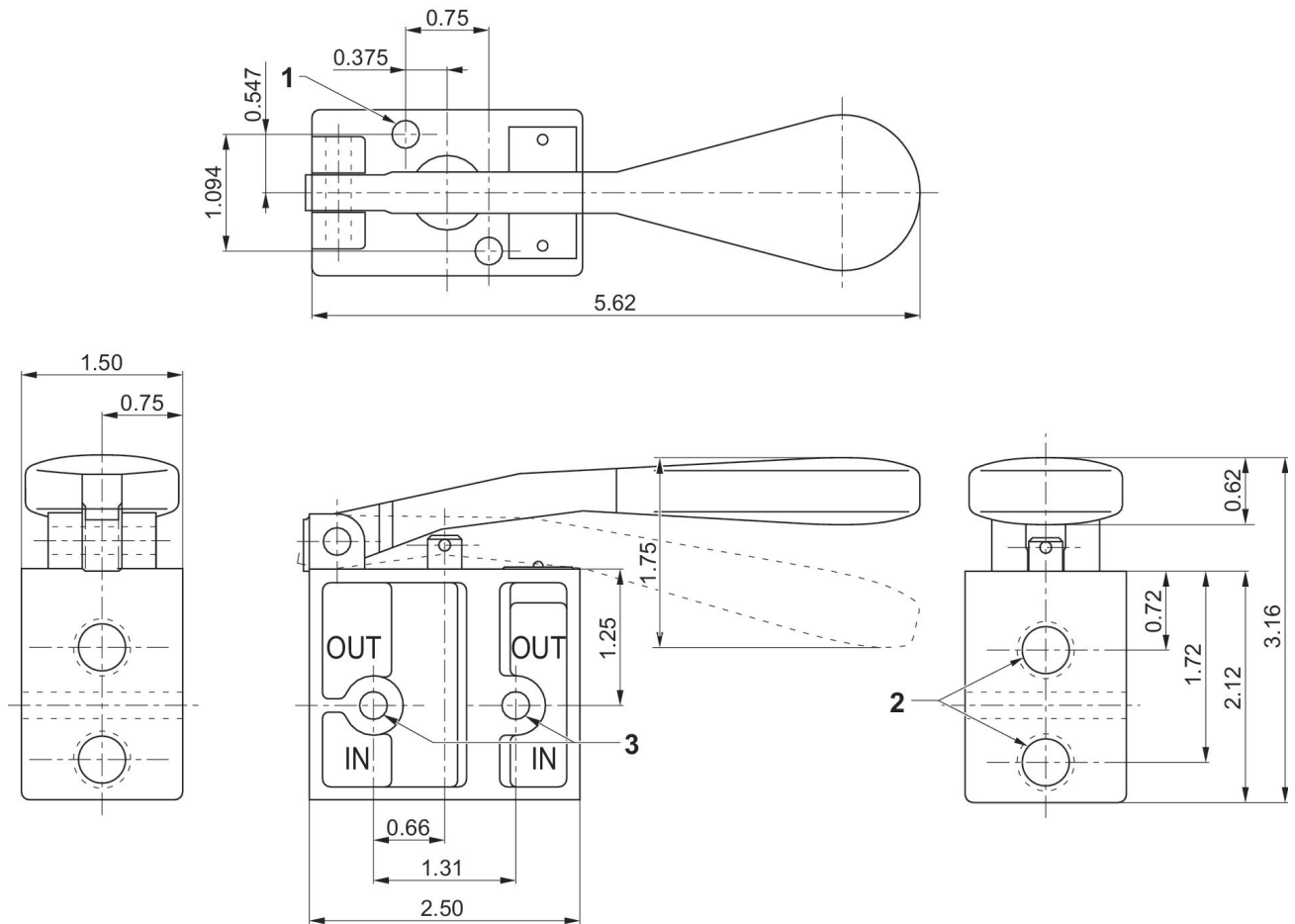
The min. control pressure must be adhered to, since otherwise faulty switching and valve failure may result!

The pressure dew point must be at least 15 °C less than ambient and medium temperature and may not exceed 3 °C.

The oil content of compressed air must remain constant during the life cycle.

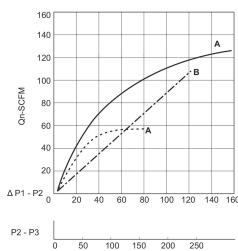
Use only the approved oils from AVENTICS. Further information can be found in the "Technical information" document (available in <https://www.emerson.com/en-us/support>).

## Dimensions in inches



- 1) Mounting hole Ø26
- 2) 1/4 - 18 NPTF
- 3) Mounting hole Ø26

## Flow diagram



- A) p1 = 200
- A) p1 = 80
- B) (p1 - Pp2) Port 1 (input) # Port 2 (Output)
- (p2 - p3) Port 2 (Output) # Port 3 (Exhaust)