

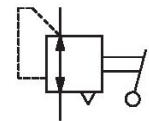
Pressure regulators, Series M Plus™

R431003192

Pressure
regulators,
Series M
Plus™

2024-10-25

AVENTICS Series M Plus Manually operated pressure regulators



Technical data

Industry

Industrial

Type

Archive product: Do not use in new constructions!

Type

Poppet valve

Type

M-2-F Friction retained handle

Compressed air connection input

1/8-27 NPTF

Compressed air connection output

1/8-27 NPTF

Min. working pressure

0 bar

Max. working pressure

10.3 bar

Min. regulation range

0 bar

Max. regulation range

8.6 bar

Min. ambient temperature

-40 °C

Max. ambient temperature

71 °C

Min. medium temperature

-40 °C

Max. medium temperature

71 °C

Medium

Compressed air

Max. particle size

50 µm

Min. oil content of compressed air

0 mg/m³

Max. oil content of compressed air

1 mg/m³

Nominal flow Q_n

200 l/min

Pressure regulators, Series M Plus™

R431003192

Pressure
regulators,
Series M
Plus™

Weight 0.75 kg

2024-10-25

Material

Part No. R431003192

Technical information

The min. control pressure must be adhered to, since otherwise faulty switching and valve failure may result!

The pressure dew point must be at least 15 °C less than ambient and medium temperature and may not exceed 3 °C.

The oil content of compressed air must remain constant during the life cycle.

Use only the approved oils from AVENTICS. Further information can be found in the "Technical information" document (available in <https://www.emerson.com/en-us/support>).

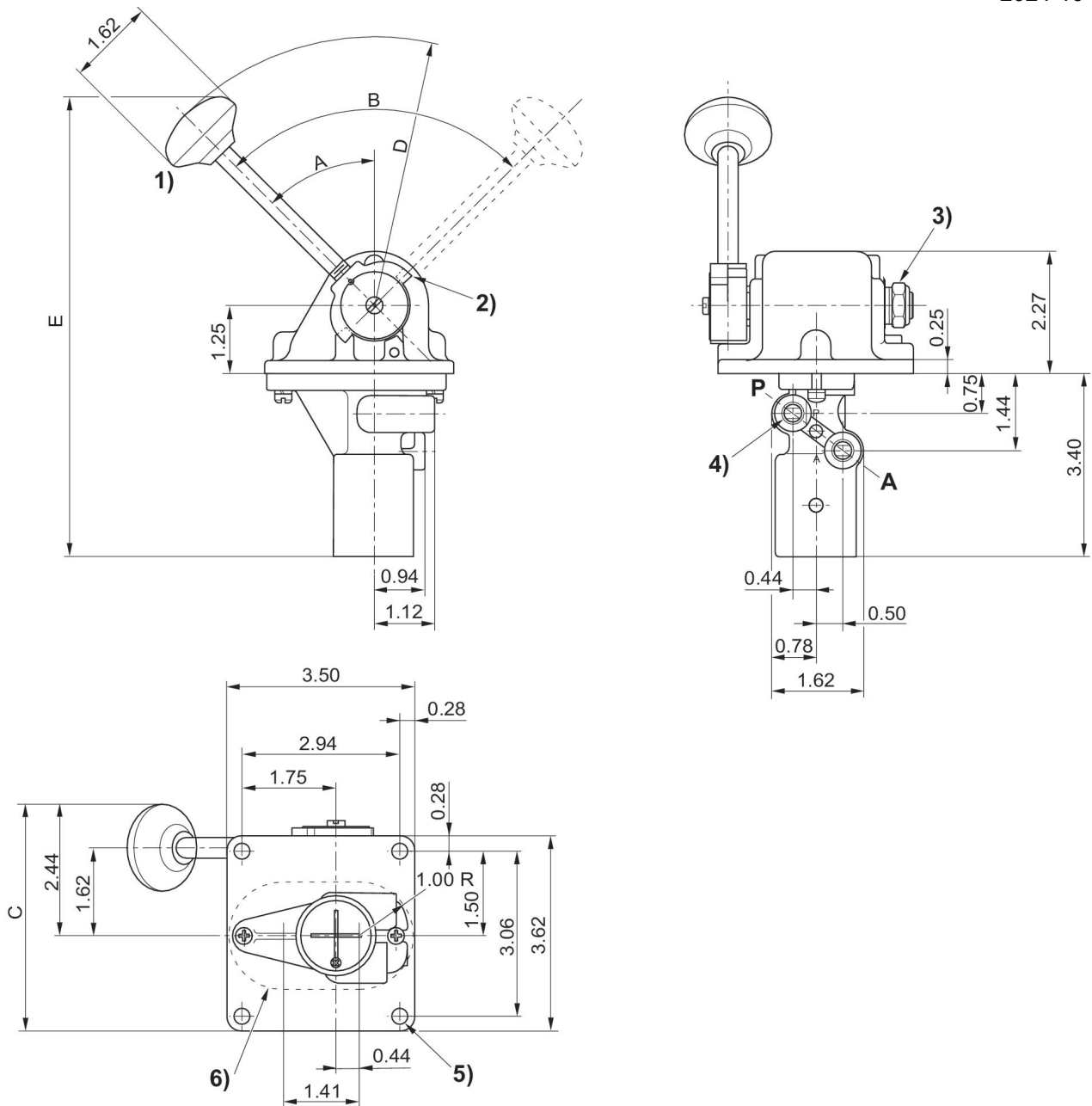
Pressure regulators, Series M Plus™

R431003192

Pressure regulators,
Series M Plus™

2024-10-25

Dimensions in inches



- 1) With hand lever, normally closed
- 2) Yoke reversed for preload pressure range
- 3) Friction brake adjustment
- 4) 0.281 diameter (4) places
- 5) panel mounting hole