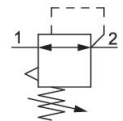


AVENTICS Series PR2 Precision pressure regulators

The AVENTICS Series PR1/PR2 is designed for applications that demand fast responses to the slightest fluctuation in compressed air. They can be adjusted precisely and are an alternative to electronic pressure regulators. Precision pressure regulators are used to achieve extremely accurate pressure control independent from the pilot pressure and the flow rate. They offer high performance and flexibility, combined with increased reliability.



Technical data

Industry	Industrial
Function	Precision pressure regulator
Parts	Precision pressure regulator
Mounting orientation	Any
Regulator type	Diaphragm-type pressure regulator
Port	G 1/4
Nominal flow Q_n	380 l/min
Min. regulation range	0.1 bar
Max. regulation range	4 bar
Min. working pressure	0.5 bar
Max. working pressure	12 bar
Min. ambient temperature	-10 °C
Max. ambient temperature	60 °C
Activation	Mechanical
Regulator function	with relieving air exhaust
Pressure supply	single
Max. internal air consumption q_v	2.5 l/min
Medium	Compressed air
Recommended pre-filtering	5 μ m

Precision pressure regulator, Series PR2-RGP

R412010480

Series PR2

2024-02-16

Weight 0.24 kg

Material

Housing material Polyamide
Seal material Acrylonitrile butadiene rubber
Part No. R412010480

Technical information

The pressure dew point must be at least 15 °C less than ambient and medium temperature and may not exceed 3 °C.

Relieving exhaust: > 300 l/min at 6 bar

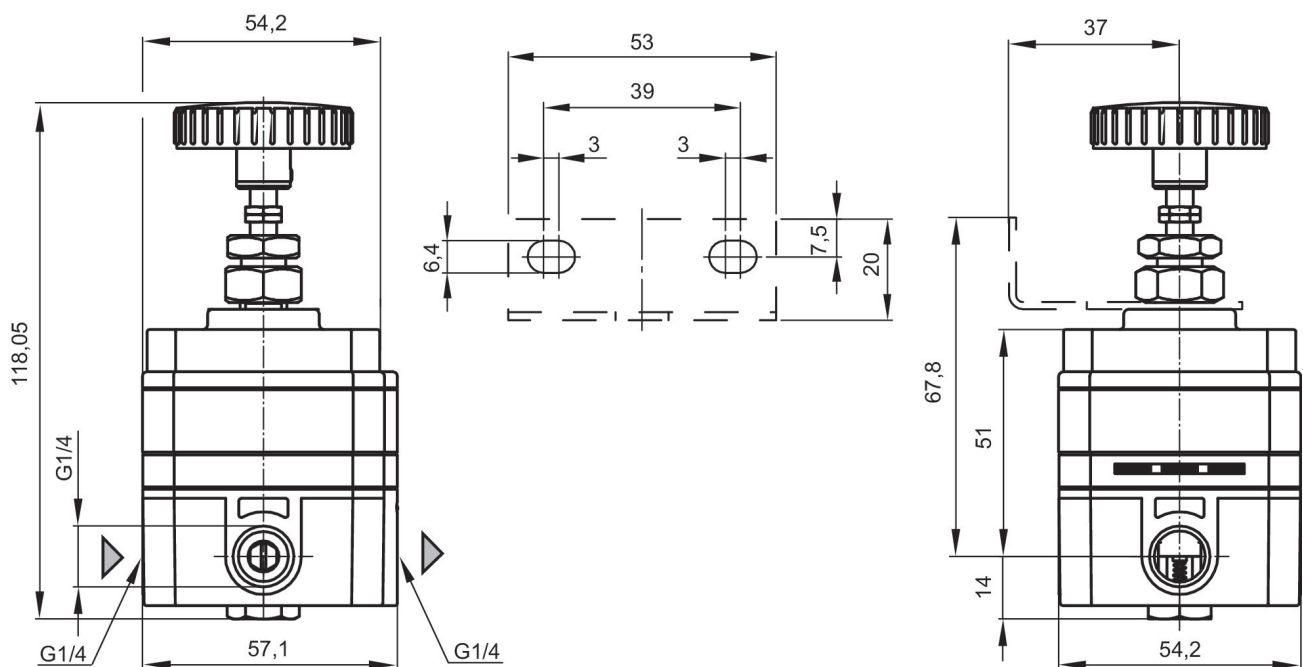
Precision: < 0.005 bar

Mounting: mounting bracket R412010482 or installation in piping

Notice: This product may only be operated with oil-free, dry compressed air.

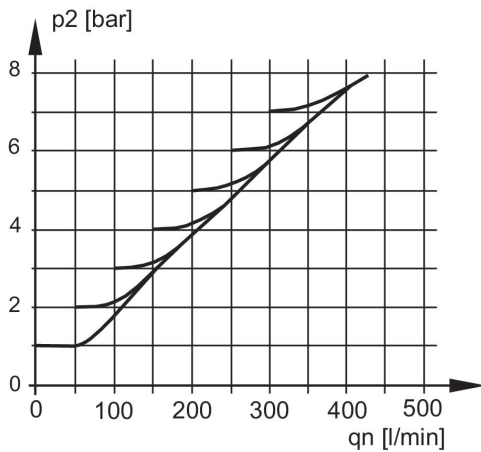
Nominal flow Q_n with secondary pressure $p_2 = 6,3$ bar at $\Delta p = 1$ bar

Dimensions in mm



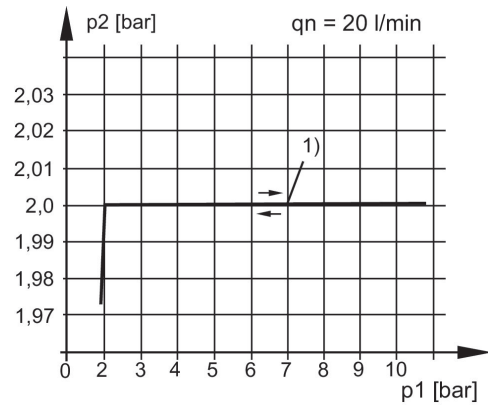
A1 = input
A2 = output

Exhaust characteristics



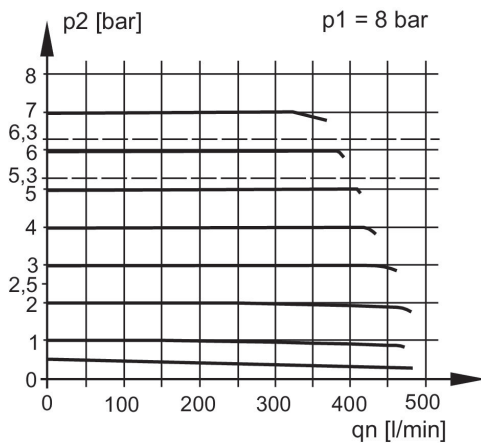
p2 = Secondary pressure
qn = Nominal flow

Pressure characteristics curve



p1 = Working pressure
p2 = Secondary pressure
qn = Nominal flow
1) Starting point

Flow rate characteristic, p2 = 0,05 - 7 bar



p1 = Working pressure
p2 = Secondary pressure
qn = Nominal flow