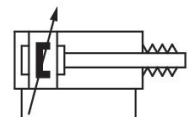


## AVENTICS Series PRA Profile cylinders (ISO 15552)

The AVENTICS Series PRA (ISO 15552) cylinders have a compact design profile with integrated sensor slots. The Series PRA (ISO 15552) cylinders can be used for all industries. This includes general automation technology, machine and systems construction, as well as specific industry applications.



### Technical data

|  |                                 |
|--|---------------------------------|
| Industry                               | Industrial                      |
| Standards                              | ISO 15552                       |
| Piston Ø                               | 40 mm                           |
| Stroke                                 | 80 mm                           |
| Ports                                  | G 1/4                           |
| Functional principle                   | Double-acting                   |
| Cushioning                             | Pneumatic adjustable cushioning |
| Magnetic piston                        | Piston with magnet              |
| Environmental requirements             | Industry standard               |
| Piston rod thread - type               | External thread                 |
| Piston rod thread                      | M12x1,25                        |
| Piston rod                             | single                          |
| Cylinder special features              | Bellows                         |
| Scraper                                | Standard Industry Scraper       |
| Pressure for determining piston forces | 6,3 bar                         |
| Retracting piston force                | 660 N                           |
| Extracting piston force                | 790 N                           |
| Min. ambient temperature               | -20 °C                          |
| Max. ambient temperature               | 80 °C                           |

# Profile cylinder ISO 15552, PRA series

series PRA

R481602067

2024-04-12

---

|                                    |                     |
|------------------------------------|---------------------|
| Min. working pressure              | 1.5 bar             |
| Max. working pressure              | 10 bar              |
| Max. speed                         | 1 m/s               |
| Cushioning length                  | 19 mm               |
| Cushioning energy                  | 9 J                 |
| Stroke max.                        | 500 mm              |
| Medium                             | Compressed air      |
| Min. medium temperature            | -20 °C              |
| Max. medium temperature            | 80 °C               |
| Max. particle size                 | 50 µm               |
| Min. oil content of compressed air | 0 mg/m <sup>3</sup> |
| Max. oil content of compressed air | 5 mg/m <sup>3</sup> |

## Material

|                       |                             |
|-----------------------|-----------------------------|
| Piston rod            | Stainless Steel             |
| Scraper material      | Polyurethane                |
| Seal material         | Polyurethane                |
| Material, front cover | Die-cast aluminum           |
| Cylinder tube         | Aluminum                    |
| End cover             | Die-cast aluminum           |
| Nut for piston rod    | Steel, chrome-plated        |
| Bellow                | Carboxylated nitrile rubber |
| Part No.              | R481602067                  |

## Technical information

The pressure dew point must be at least 15 °C less than ambient and medium temperature and may not exceed 3 °C.

The oil content of compressed air must remain constant during the life cycle.

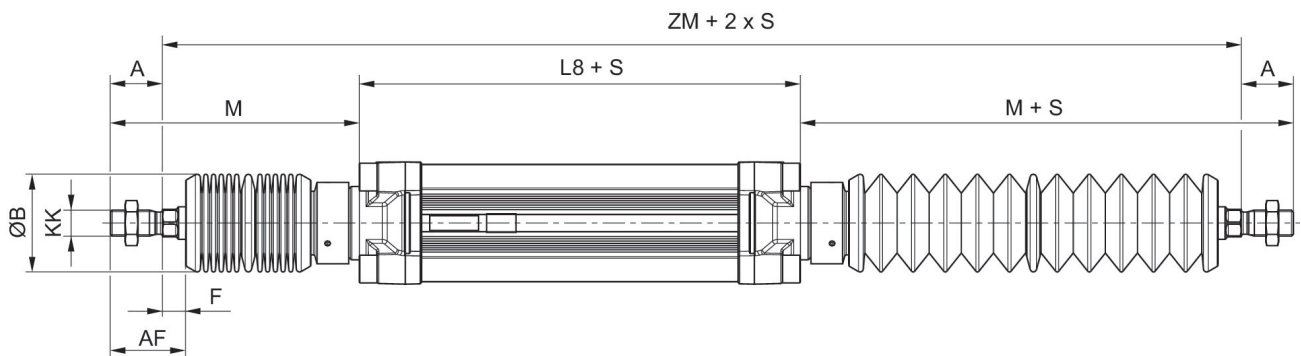
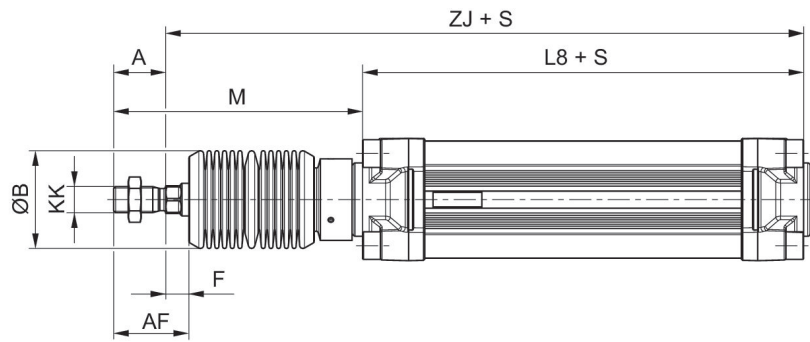
Use only the approved oils from AVENTICS. Further information can be found in the “Technical information” document (available in <https://www.emerson.com/en-us/support>).

# Profile cylinder ISO 1552, PRA series

R481602067

series PRA

2024-04-12



S = stroke

## Stroke-dependent dimensions

| Piston Ø | S=0-75 M | S=0-75 ZJ | S=0-75 ZM | S=76-150 M | S=76-150 ZJ | S=76-150 ZM | S=151-250 M | S=151-250 ZJ | S=151-250 ZM |
|----------|----------|-----------|-----------|------------|-------------|-------------|-------------|--------------|--------------|
| 32       | 81       | 153       | 212       | 107        | 179         | 264         | 127         | 199          | 304          |
| 40       | 138      | 219       | 333       | 138        | 219         | 333         | 138         | 219          | 333          |
| 50       | 153      | 227       | 348       | 153        | 227         | 348         | 153         | 227          | 348          |
| 63       | 153      | 242       | 363       | 153        | 242         | 363         | 153         | 242          | 363          |
| 80       | 170      | 258       | 388       | 170        | 258         | 388         | 170         | 258          | 388          |
| 100      | 160      | 258       | 378       | 160        | 258         | 378         | 160         | 258          | 378          |
| 125      | 188      | 294       | 418       | 188        | 294         | 428         | 188         | 294          | 428          |

| Piston Ø | S=251-5000 M | S=251-500 ZJ | S=251-500 ZM | S=501-750 M | S=501-750 ZJ | S=501-750 ZM | S=751-1000 M | S=751-1000 ZJ | S=751-1000 ZM |
|----------|--------------|--------------|--------------|-------------|--------------|--------------|--------------|---------------|---------------|
| 32       | -            | -            | -            | -           | -            | -            | -            | -             | -             |
| 40       | 218          | 299          | 493          | -           | -            | -            | -            | -             | -             |
| 50       | 233          | 307          | 508          | 313         | 387          | 668          | -            | -             | -             |
| 63       | 233          | 322          | 523          | 313         | 402          | 683          | 394          | 483           | 845           |
| 80       | 250          | 338          | 548          | 330         | 418          | 708          | 411          | 499           | 870           |
| 100      | 220          | 318          | 498          | 280         | 378          | 618          | 340          | 438           | 738           |
| 125      | 248          | 354          | 548          | 308         | 414          | 668          | 368          | 474           | 788           |

S = stroke

# Profile cylinder ISO 15552, PRA series

R481602067

series PRA

2024-04-12

|            | A  | Ø B | KK       | L8  | AF | F  |
|------------|----|-----|----------|-----|----|----|
| R481602057 | 22 | 42  | M10x1.25 | 94  | 34 | 12 |
| R481602065 | 24 | 42  | M12x1.25 | 105 | 39 | 15 |
| R481602076 | 32 | 64  | M16x1,5  | 106 | 47 | 15 |
| R481602087 | 32 | 64  | M16x1,5  | 121 | 47 | 15 |
| R481602098 | 40 | 64  | M20x1,5  | 128 | 57 | 17 |
| R481602109 | 40 | 64  | M20x1,5  | 138 | 57 | 17 |
| R481602120 | 54 | 94  | M27x2    | 160 | 71 | 17 |

## Cushioning diagram



$v_1$  = Piston velocity [m/s]  $m$  = Cushionable mass [kg]

# Profile cylinder ISO 1552, PRA series

R481602067

series PRA

2024-04-12

