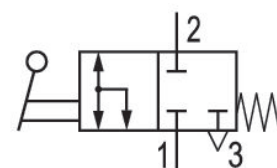
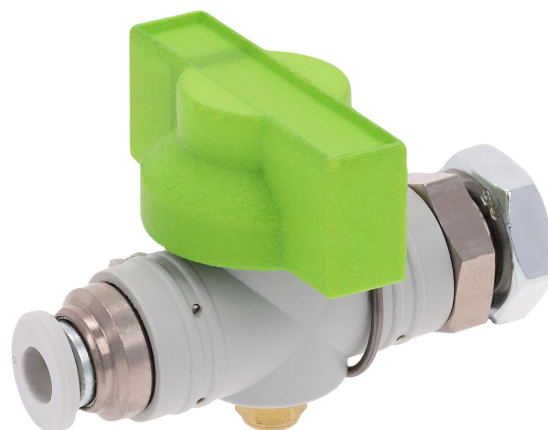


Ball valve, Series QR1-BSK

R414010278

General series information
AVENTICS Series QR1 Shut-off valves

- AVENTICS Series QR1 Shut-off valve are designed for safety-relevant processes, the valves enable manual blocking of the air supply to immediately stop the working stroke.



Technical data

Industry	Industrial
Type	Ball Valve
Medium	Compressed air
Compressed air connection 1	Ø 6
Compressed air connection type 1	push-in fitting
Compressed air connection 2	M7x1
	M12x1,25
Compressed air connection type 2	External thread
Min. ambient temperature	0 °C
Max. ambient temperature	60 °C
Min. medium temperature	0 °C
Max. medium temperature	60 °C
Working pressure min.	0 bar
Working pressure max	10 bar
Flow Qn	220 l/min

Delivery unit

1 piece

Material

Housing material

Polybutyleneterephthalate

Seal material

Acrylonitrile butadiene rubber

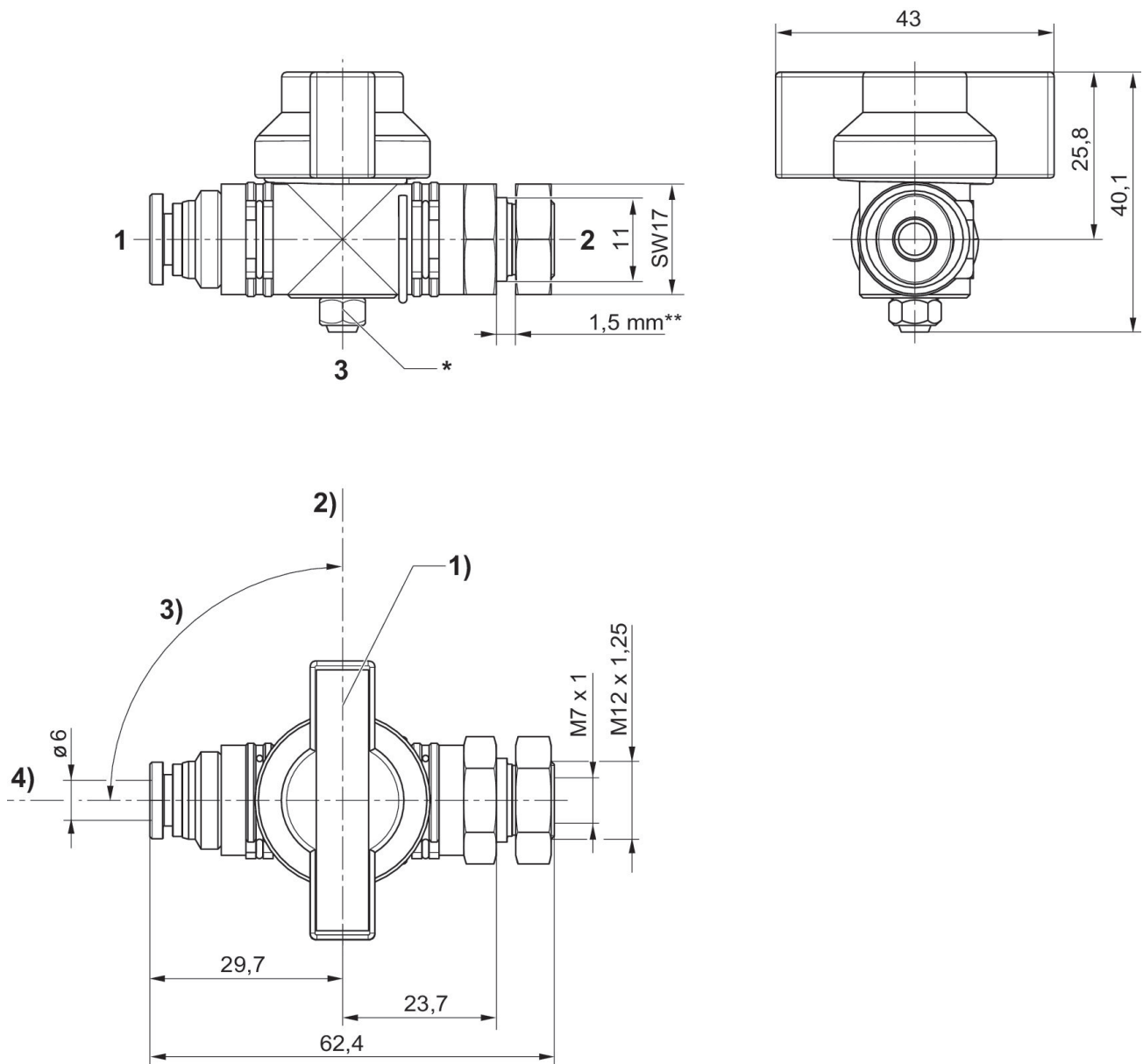
Material hand lever

Polyamide

Part No.

R414010278

Dimensions



* Exhaust M5

** Min. collar dimensions for mounting

1) Lever position with closed valve

2) Closed

- 3) Stop at 90°
- 4) Open