

Check-choke valve, Series QR1-DBS, Inlet-Side Throttling, push-in fitting

R412005454

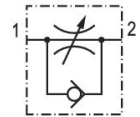
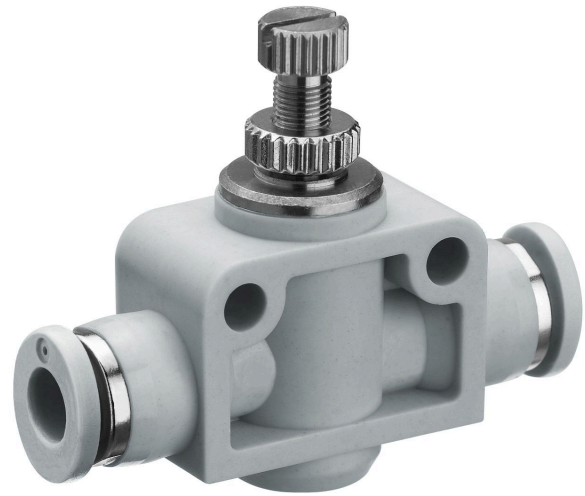
Series QR1

2024-12-17

- Nominal flows from 60 l/min .. 875 l/min

AVENTICS Series QR1 Check-choke-valves

AVENTICS Series QR1 Check-choke-valve are designed for nominal flows from 60 l/min .. 875 l/min.



Technical data

Industry	Industrial
Port 1	Ø 4
Port 2	Ø 4
direction of throttle	1 > 2
Nominal flow Qn 1 to 2	60 l/min
Compressed air connection type 1	push-in fitting
Compressed air connection type 2	push-in fitting
Medium	Compressed air
Min. working pressure	-1 bar
Max. working pressure	16 bar
Min. ambient temperature	-20 °C
Max. ambient temperature	80 °C
Min. medium temperature	-20 °C
Max. medium temperature	80 °C
Delivery unit	5 piece
Weight	0.013 kg

Material

Housing material	Polyamide
------------------	-----------

Check-choke valve, Series QR1-DBS, Inlet-Side Throttling, push-in fitting

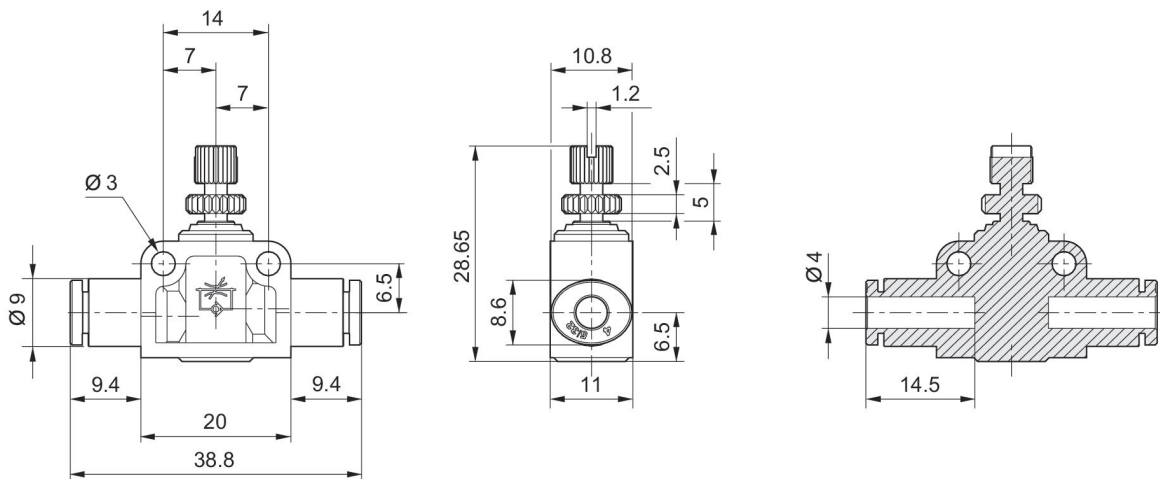
R412005454

Series QR1

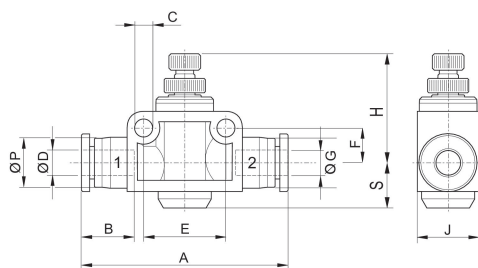
2024-12-17

Seal material	Acrylonitrile butadiene rubber
Material release ring	Polyamide
Material flow control screw	Brass
Surface flow control screw	nickel-plated
Part No.	R412005454

Dimensions in mm



Dimensions



Part No.	Port G	$\varnothing D$	A	B	$\varnothing C$	E	F	H	J	$\varnothing P$
R412005454	$\varnothing 4$	4	38.4	14	3.2	14	6.5	20	11	10
R412005455	$\varnothing 6$	6	47.2	15.2	4.3	20	8.5	27	15	12.4
R412005456	$\varnothing 8$	8	51.8	17.2	4.3	22	9.5	28.5	18	14.4
R412005457	$\varnothing 10$	10	59.6	18.9	4.3	26	11	34	21	17.6
R412005458	$\varnothing 12$	12	71.4	21.2	4.3	32	13	33.5	28	21

Check-choke valve, Series QR1-DBS, Inlet-Side Throttling, push-in fitting

R412005454

Series QR1

2024-12-17

Part No.	S
R412005454	6.5
R412005455	11
R412005456	12
R412005457	12
R412005458	16