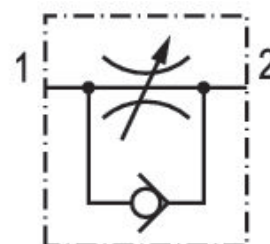


Check-choke valve, Series QR1-DWA

R432000792

General series information
QR1-DWA

- AVENTICS Series QR1 Check-choke-valve are designed for nominal flows from 60 l/min .. 875 l/min.



Technical data

Industry	Industrial
Port 1	3/8 NPT
Port 2	Ø 3/8
direction of throttle	1 > 2
Nominal flow Qn 1 to 2	33003.36 l/min
Compressed air connection type 1	push-in fitting
Compressed air connection type 2	External thread
Throttle	Inlet-Side Throttling
Medium	Compressed air
Working pressure min.	0.4827 bar
Working pressure max	10 bar
Min. ambient temperature	0 °C
Max. ambient temperature	60 °C

Min. medium temperature	0 °C
Max. medium temperature	60 °C
Delivery unit	1 piece
Weight	0.068 kg

Material

Housing material	Polybutyleneterephthalate
Seal material	Acrylonitrile butadiene rubber
Material flow control screw	Brass
Surface flow control screw	nickel-plated
Material compressed air connection	Brass
Part No.	R432000792

Technical information

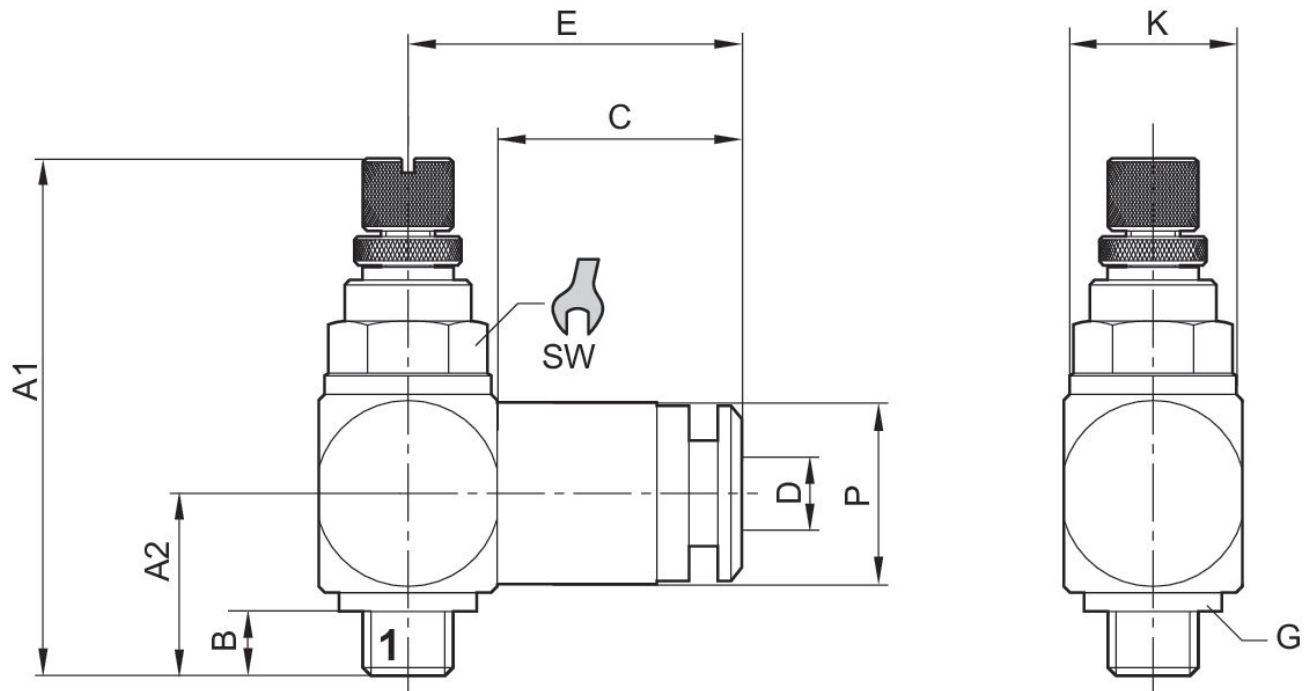
The min. control pressure must be adhered to, since otherwise faulty switching and valve failure may result!

The pressure dew point must be at least 15 °C less than ambient and medium temperature and may not exceed 3 °C.

The oil content of compressed air must remain constant during the life cycle.

Use only the approved oils from AVENTICS. Further information can be found in the "Technical information" document (available in <https://www.emerson.com/en-us/support>).

Dimensions in inches



Throttle setting via knurled bolt

Dimensions in inches

Part No.	G	Ø D	A1 (max)	A2	B	C	E	Ø K	SW
R432000791	1/4 NPT	Ø1/4	1.635	0.493	0.394	0.7	0.938	0.725	9/16
R432000792	3/8 NPT	Ø3/8	2.049	0.749	0.611	0.8	1.217	0.867	3/4
R432000793	1/2 NPT	Ø1/2	2.049	0.749	0.611	0.9	1.430	1.103	1

Part No.	Ø P
R432000791	0.489
R432000792	0.693
R432000793	0.835