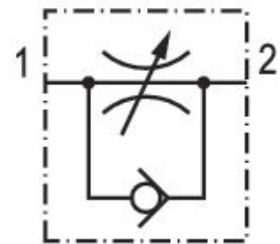
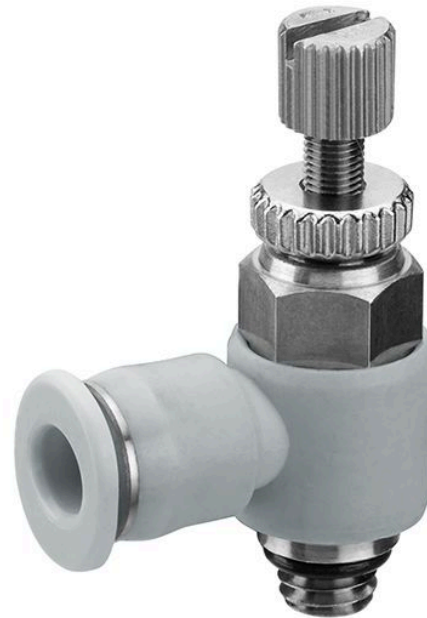


Check-choke valve, Series QR1-DWA

R432002374

General series information
QR1-DWA

- AVENTICS Series QR1 Check-choke-valve are designed for nominal flows from 60 l/min .. 875 l/min.



Technical data

| | |
|------------------------------------|------------------------|
| Industry | Industrial |
| Port 1 | 1/4 NPT |
| Port 2 | Ø5/16 |
| direction of throttle | 1 > 2 |
| Nominal flow Q _n 1 to 2 | 9721.92 l/min |
| Compressed air connection type 1 | push-in fitting |
| Compressed air connection type 2 | External thread |
| Throttle | Exhaust Air Throttling |
| Medium | Compressed air |
| Working pressure min. | 0.4827 bar |
| Working pressure max | 10 bar |
| Min. ambient temperature | 0 °C |
| Max. ambient temperature | 60 °C |

| | |
|-------------------------|-----------|
| Min. medium temperature | 0 °C |
| Max. medium temperature | 60 °C |
| Delivery unit | 1 piece |
| Weight | 0.0408 kg |

Material

| | |
|------------------------------------|--------------------------------|
| Housing material | Polybutyleneterephthalate |
| Seal material | Acrylonitrile butadiene rubber |
| Material flow control screw | Brass |
| Surface flow control screw | nickel-plated |
| Material compressed air connection | Brass |
| Part No. | R432002374 |

Technical information

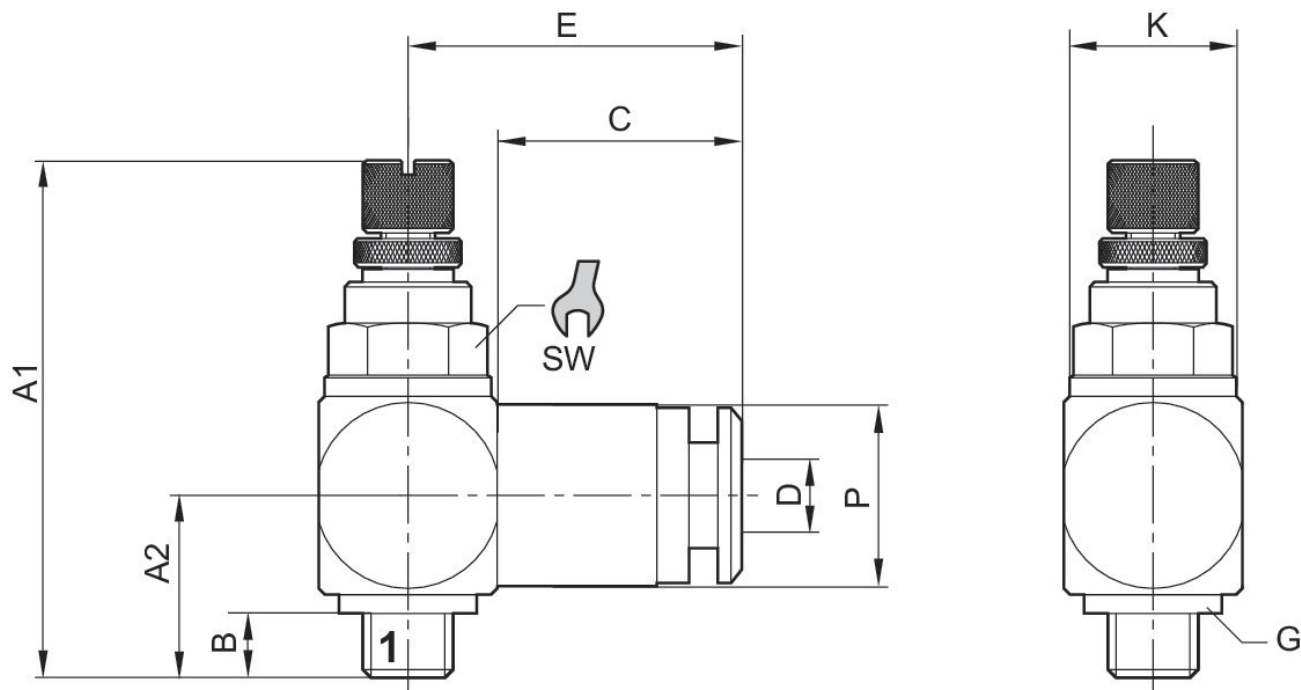
The min. control pressure must be adhered to, since otherwise faulty switching and valve failure may result!

The pressure dew point must be at least 15 °C less than ambient and medium temperature and may not exceed 3 °C.

The oil content of compressed air must remain constant during the life cycle.

Use only the approved oils from AVENTICS. Further information can be found in the "Technical information" document (available in <https://www.emerson.com/en-us/support>).

Dimensions in inches



Throttle setting via knurled bolt

Dimensions in inches

| Part No. | Ø D | A1 (max) | A2 | B | C | E | Ø K | SW | Ø P |
|------------|------|----------|-------|-------|-------|-------|-------|------|-------|
| R432002367 | 5/32 | 1,044 | 0,256 | 0,138 | 0,63 | 0,725 | 0,394 | 5/16 | 0,411 |
| R432002369 | 1/4 | 1,852 | 0,591 | 0,493 | 0,67 | 0,839 | 0,394 | 5/16 | 0,489 |
| R432002368 | 5/32 | 1,044 | 0,256 | 0,138 | 0,63 | 0,725 | 0,394 | 7/16 | 0,411 |
| R432002370 | 1/4 | 1,418 | 0,473 | 0,276 | 0,67 | 0,855 | 0,567 | 7/16 | 0,489 |
| R432002373 | 5/16 | 2,049 | 0,619 | 0,611 | 0,729 | 0,926 | 0,567 | 7/16 | 0,567 |
| R432002371 | 1/4 | 1,635 | 0,493 | 0,394 | 0,67 | 0,938 | 0,725 | 9/16 | 0,489 |
| R432002374 | 5/16 | 1,635 | 0,571 | 0,394 | 0,729 | 1,052 | 0,725 | 9/16 | 0,567 |
| R432002377 | 3/8 | 1,852 | 0,69 | 0,493 | 0,827 | 1,202 | 0,725 | 9/16 | 0,693 |
| R432002372 | 1/4 | 1,852 | 0,571 | 0,496 | 0,67 | 1,036 | 0,867 | 3/4 | 0,489 |
| R432002375 | 5/16 | 1,852 | 0,63 | 0,496 | 0,729 | 1,068 | 0,867 | 3/4 | 0,567 |
| R432002378 | 3/8 | 2,049 | 0,749 | 0,611 | 0,827 | 1,217 | 0,867 | 3/4 | 0,693 |
| R432002380 | 1/2 | 2,049 | 0,749 | 0,496 | 0,887 | 1,371 | 0,867 | 3/4 | 0,835 |
| R432002376 | 5/16 | 2,049 | 0,682 | 0,611 | 0,729 | 1,143 | 1,103 | 1 | 0,567 |
| R432002379 | 3/8 | 2,049 | 0,749 | 0,611 | 0,827 | 1,292 | 1,103 | 1 | 0,693 |
| R432002381 | 1/2 | 2,049 | 0,749 | 0,611 | 0,887 | 1,43 | 1,103 | 1 | 0,835 |