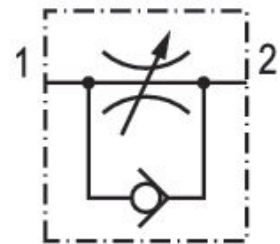


Check-choke valve, Series QR1-DWB

R432002364

General series information
QR1-DWA

- AVENTICS Series QR1 Check-choke-valve are designed for nominal flows from 60 l/min .. 875 l/min.



Technical data

Industry	Industrial
Port 1	1/8 NPT
Port 2	Ø5/32
direction of throttle	1 > 2
Nominal flow Q _n 1 to 2	5904 l/min
Compressed air connection type 1	push-in fitting
Compressed air connection type 2	External thread
Throttle	Exhaust Air Throttling
Medium	Compressed air
Working pressure min.	0.4827 bar
Working pressure max	10 bar
Min. ambient temperature	0 °C
Max. ambient temperature	60 °C

Min. medium temperature	0 °C
Max. medium temperature	60 °C
Delivery unit	1 piece
Weight	0.0136 kg

Material

Housing material	Polybutyleneterephthalate
Seal material	Acrylonitrile butadiene rubber
Material flow control screw	Brass
Surface flow control screw	nickel-plated
Material compressed air connection	Brass
Part No.	R432002364

Technical information

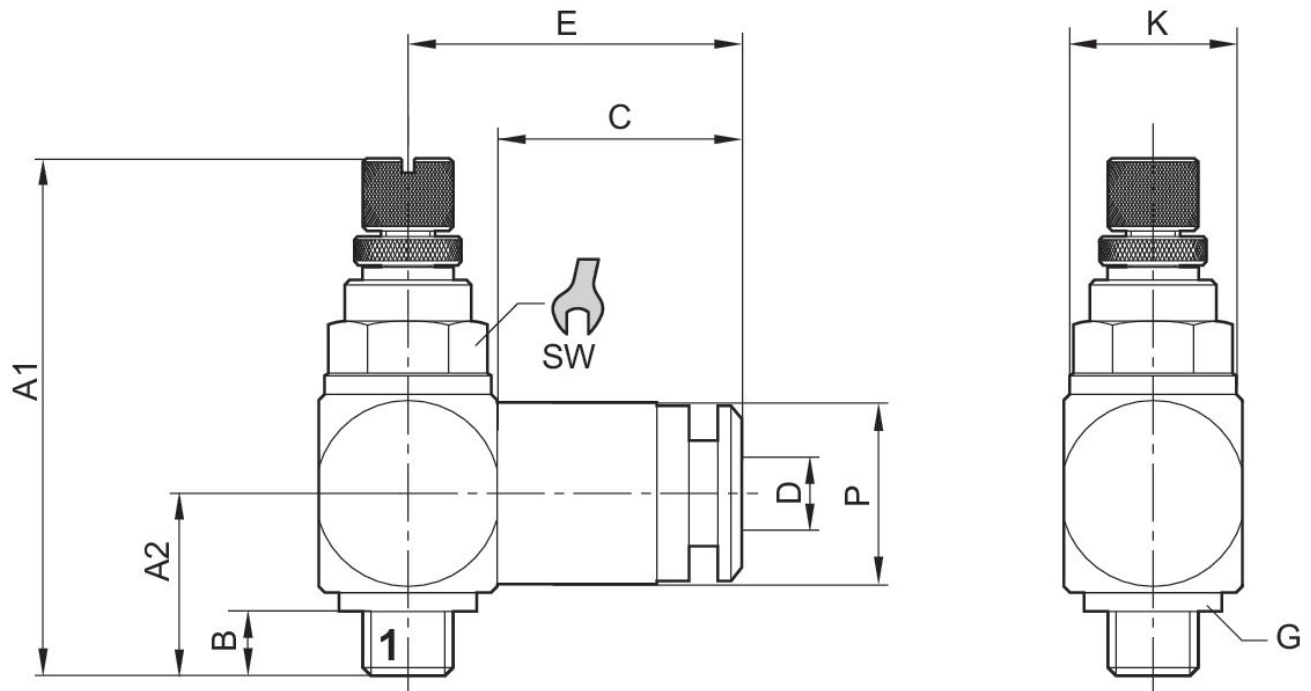
The min. control pressure must be adhered to, since otherwise faulty switching and valve failure may result!

The pressure dew point must be at least 15 °C less than ambient and medium temperature and may not exceed 3 °C.

The oil content of compressed air must remain constant during the life cycle.

Use only the approved oils from AVENTICS. Further information can be found in the "Technical information" document (available in <https://www.emerson.com/en-us/support>).

Dimensions in inches



Throttle setting via knurled bolt

Dimensions in inches

Part No.	G	Ø D	A1 (max)	A2	B	C	E	Ø K	SW
R432002362	10-32 UNF	Ø1/8	1,044	0.272	0.158	0.355	0.552	0,394	5/16
R432002363	10-32 UNF	Ø5/32	1,044	0.252	0.158	0.461	0.617	0,394	5/16
R432002364	1/8 NPT	Ø5/32	1,418	0.441	0.315	0.461	0.701	0.552	7/16
R432002365	10-32 UNF	Ø1/4	1,044	0.252	0.158	0.473	0.662	0,394	5/16
R432002366	1/8 NPT	Ø1/4	1,418	0.441	0.315	0.473	0.717	0.552	7/16

Part No.	Ø P
R432002362	0.256
R432002363	0.315
R432002364	0.315
R432002365	0.411
R432002366	0.411