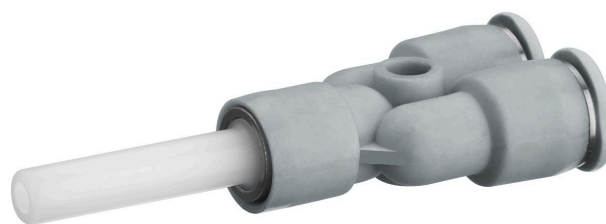


Series QR1-S-M2R Mini

R412005446

General series information
AVENTICS Series QR1 Fittings

- AVENTICS Series QR1 push-in connectors with easy, secure mounting are available in many versions: for tubing diameters from 3 to 16 mm, as well as in plastic, metal, and stainless steel variants. QR1 Series offers a cylindric thread that allows repeated connection and release without problems (Quick Release) and captive O-ring guarantees an optimal sealing. Our QR program offers the right solution for every application and industry.



Technical data

Industry	Industrial
Fitting type	Y-Push-in fitting, reducing
Compressed air connection type	pin bushing
Port G	Ø 6
Compressed air connection type 2	push-in fitting
Port D	Ø 4
Type	QR1-S-M2R
Working pressure min.	-0.95 bar
Working pressure max	10 bar
Min. ambient temperature	0 °C
Max. ambient temperature	60 °C
Delivery unit	25 piece
Weight	0.0042 kg

Material

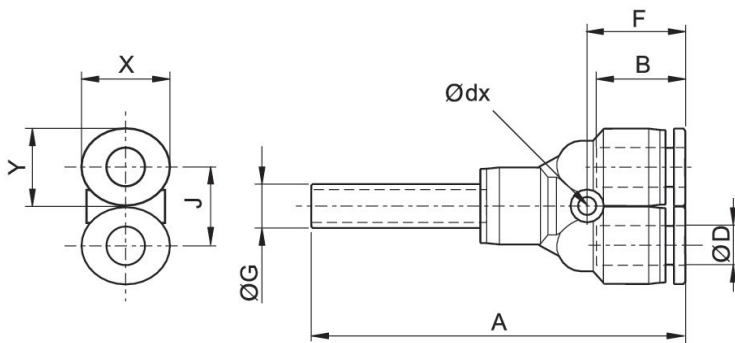
Surface	nickel-plated
Housing material	Polybutyleneterephthalate
Seal material	Acrylonitrile butadiene rubber

Material tooth lock washer	Stainless Steel
Material release ring	Polyoxymethylene
Material release ring holder	Die cast zinc Brass
Surface release ring holder	nickel-plated
Part No.	R412005446

Technical information

The series QR1 (plastic) and QR2 (metal) can not be combined

Dimensions



Part No.	Port D	Port G	Ø dx	A	B	F	J	X	Y
R412005445	Ø 3	Ø 4	3.2	33	9.5	13.4	8	7	6
R412005446	Ø 4	Ø 6	3.2	38.5	11.5	13.6	10.5	10	8