

AVENTICS Series QR1 Fittings

AVENTICS Series QR1 push-in connectors with easy, secure mounting are available in many versions: for tubing diameters from 3 to 16 mm, as well as in plastic, metal, and stainless steel variants. QR1 Series offers a cylindrical thread that allows repeated connection and release without problems (Quick Release) and captive O-ring guarantees an optimal sealing. Our QR program offers the right solution for every application and industry.



Technical data

Industry	Industrial
Fitting type	Straight fitting with hexagon socket
Compressed air connection type	External thread
Port G	10-32 UNF
Compressed air connection type 2	push-in fitting
Port D	Ø1/4
Type	QR1-S-MIN
Min. working pressure	-0.95 bar
Max. working pressure	10 bar
Min. ambient temperature	0 °C
Max. ambient temperature	60 °C
Delivery unit	25 piece
Weight	0.005 kg

Material

Surface	nickel-plated
Housing material	Brass
Surface housing	nickel-plated
Seal material	Acrylonitrile butadiene rubber

Series QR1-S-MIN Mini

2024-05-17

R432000318

Material tooth lock washer	Stainless Steel
Material release ring	Polyoxymethylene
Material release ring holder	Die cast zinc Brass
Surface release ring holder	nickel-plated
Material thread	Brass
Surface thread	nickel-plated
Part No.	R432000318

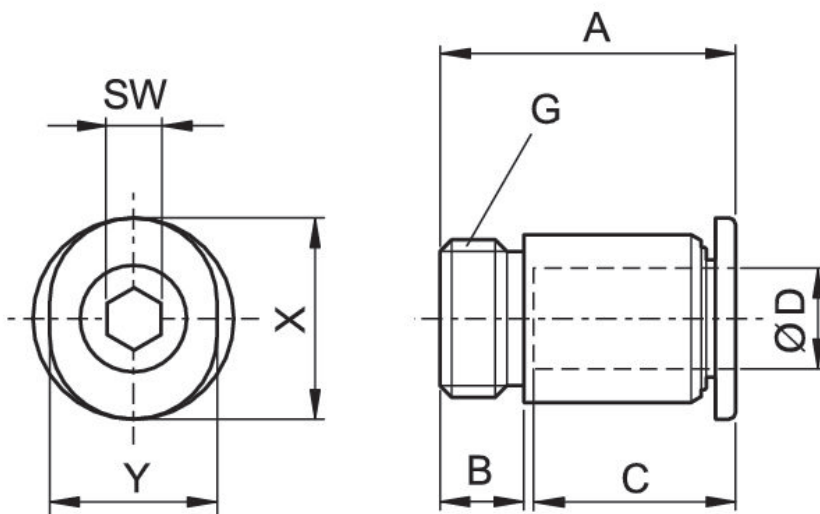
Technical information

The series QR1 (plastic) and QR2 (metal) can not be combined

Thread seal with captive O-ring

These pneumatic components with NPT or inch thread dimensions are only available from our US sales organization.

Dimensions in inches



Dimensions in inches

Part No.	Port D	Port G	A	B	C	SW	X	Y
R432000326	Ø1/8	10-32 UNF	0.6	0.14	0.41	3/32	0.28	0.24
R432000325	Ø1/8	1/8 NPT	0.56	0.32	0.41	3/32	0.28	0.24
R432000333	Ø5/32	10-32 UNF	0.63	0.14	0.44	3/32	0.39	0.32
R432000331	Ø5/32	1/8 NPT	0.6	0.32	0.44	3/32	0.39	0.32
R432000318	Ø1/4	10-32 UNF	0.7	0.14	0.46	3/32	0.47	0.39
R432000317	Ø1/4	1/8 NPT	0.74	0.32	0.46	5/32	0.47	0.39