

Series QR1-S-MIN Mini

R412005273

General series information
AVENTICS Series QR1 Fittings

- AVENTICS Series QR1 push-in connectors with easy, secure mounting are available in many versions: for tubing diameters from 3 to 16 mm, as well as in plastic, metal, and stainless steel variants. QR1 Series offers a cylindric thread that allows repeated connection and release without problems (Quick Release) and captive O-ring guarantees an optimal sealing. Our QR program offers the right solution for every application and industry.



Technical data

| | |
|----------------------------------|--------------------------------------|
| Industry | Industrial |
| Fitting type | Straight fitting with hexagon socket |
| Compressed air connection type | External thread |
| Port G | M7 |
| Compressed air connection type 2 | push-in fitting |
| Port D | Ø 6 |
| Type | QR1-S-MIN |
| Working pressure min. | -0.95 bar |
| Working pressure max | 10 bar |
| Min. ambient temperature | 0 °C |
| Max. ambient temperature | 60 °C |
| Delivery unit | 25 piece |
| Weight | 0.0055 kg |

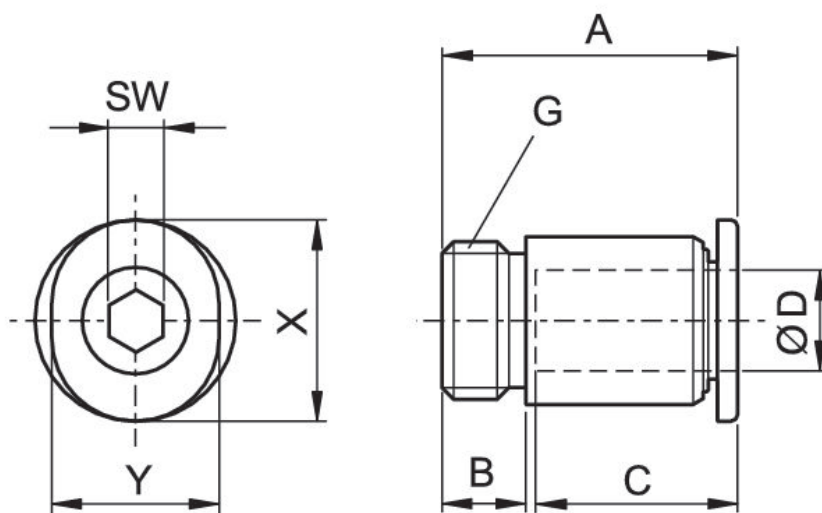
Material

| | |
|------------------|---------------|
| Surface | nickel-plated |
| Housing material | Brass |
| Surface housing | nickel-plated |

| | |
|------------------------------|--------------------------------|
| Seal material | Acrylonitrile butadiene rubber |
| Material tooth lock washer | Stainless Steel |
| Material release ring | Polyoxymethylene |
| Material release ring holder | Die cast zinc Brass |
| Surface release ring holder | nickel-plated |
| Material thread | Brass |
| Surface thread | nickel-plated |
| Part No. | R412005273 |

Technical information

The series QR1 (plastic) and QR2 (metal) can not be combined
Thread seal with captive O-ring



| Part No. | Port D | Port G | A | B | C | SW | X | Y |
|------------|--------|--------|------|---|------|-----|----|----|
| R412005264 | Ø 3 | M3 | 15.9 | 3 | 9.5 | 1.5 | 7 | 6 |
| R412005265 | Ø 4 | M3 | 18 | 3 | 11.5 | 1.5 | 10 | 8 |
| R412005266 | Ø 3 | M5 | 18 | 4 | 9.5 | 2 | 7 | 6 |
| R412005267 | Ø 4 | M5 | 16.3 | 4 | 11.5 | 2.5 | 10 | 8 |
| R412005268 | Ø 6 | M5 | 17.8 | 4 | 12.5 | 2.5 | 12 | 10 |
| R412005269 | Ø 3 | M6 | 20.2 | 5 | 9.5 | 3 | 7 | 6 |
| R412005270 | Ø 4 | M6 | 20.2 | 5 | 11.5 | 3 | 10 | 8 |
| R412005271 | Ø 6 | M6 | 18.8 | 5 | 12.5 | 3 | 12 | 10 |
| R412005272 | Ø 4 | M7 | 21.4 | 5 | 11.5 | 3 | 10 | 8 |
| R412005273 | Ø 6 | M7 | 20.1 | 5 | 12.5 | 3 | 12 | 10 |
| R412005274 | Ø 4 | G 1/8 | 17 | 5 | 11.5 | 3 | 10 | 8 |
| R412005275 | Ø 6 | G 1/8 | 20.6 | 5 | 12.5 | 4 | 12 | 10 |