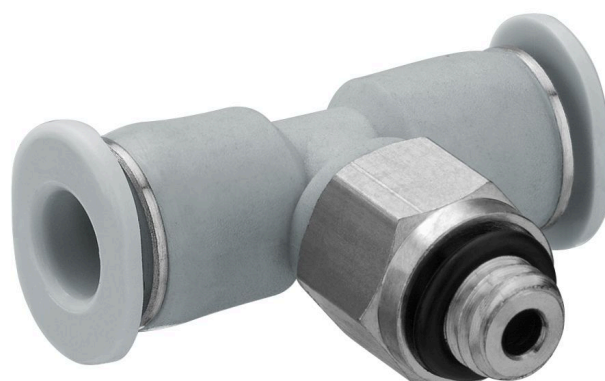


Series QR1-S-MTT Mini

R412005400

General series information
AVENTICS Series QR1 Fittings

- AVENTICS Series QR1 push-in connectors with easy, secure mounting are available in many versions: for tubing diameters from 3 to 16 mm, as well as in plastic, metal, and stainless steel variants. QR1 Series offers a cylindric thread that allows repeated connection and release without problems (Quick Release) and captive O-ring guarantees an optimal sealing. Our QR program offers the right solution for every application and industry.



Technical data

| | |
|----------------------------------|-----------------|
| Industry | Industrial |
| Fitting type | T-union |
| Compressed air connection type | External thread |
| Port G | G 1/8 |
| Compressed air connection type 2 | push-in fitting |
| Port D | Ø 4 |
| Type | QR1-S-MTT |
| Working pressure min. | -0.95 bar |
| Working pressure max | 10 bar |
| Min. ambient temperature | 0 °C |
| Max. ambient temperature | 60 °C |
| Delivery unit | 25 piece |
| Weight | 0.0069 kg |

Material

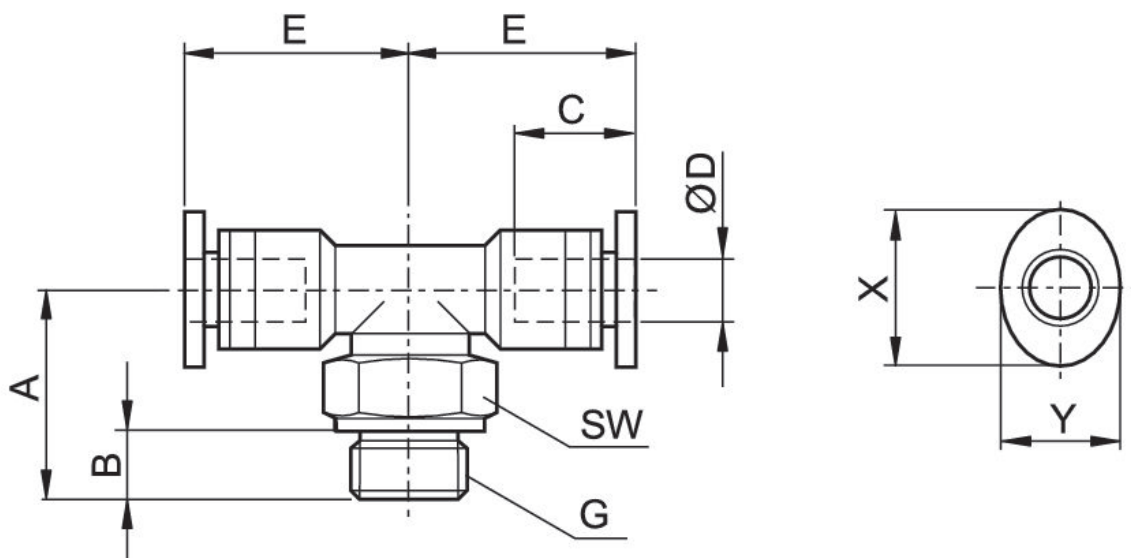
| | |
|------------------|--------------------------------|
| Surface | nickel-plated |
| Housing material | Polybutyleneterephthalate |
| Seal material | Acrylonitrile butadiene rubber |

| | |
|------------------------------|------------------------|
| Material tooth lock washer | Stainless Steel |
| Material release ring | Polyoxymethylene |
| Material release ring holder | Die cast zinc Brass |
| Surface release ring holder | nickel-plated |
| Material thread | Brass |
| Surface thread | nickel-plated |
| Part No. | R412005400 |

Technical information

The series QR1 (plastic) and QR2 (metal) can not be combined
Thread seal with captive O-ring

Dimensions



| Part No. | Port D | Port G | A | B | C | E | SW | X | Y |
|------------|-----------|--------|------|---|------|------|----|----|----|
| R412005395 | Ø 4 M5 M5 | M5 | 15 | 4 | 11.5 | 13.1 | 8 | 10 | 8 |
| R412005396 | Ø 6 | M5 | 16 | 4 | 12.5 | 14.4 | 8 | 12 | 10 |
| R412005400 | Ø 4 | G 1/8 | 13.4 | 5 | 11.5 | 13.1 | 12 | 10 | 8 |
| R412005401 | Ø 6 | G 1/8 | 14.4 | 5 | 12.5 | 14.4 | 10 | 12 | 10 |