

Series QR1-S-MXS Mini

R412005435

General series information
AVENTICS Series QR1 Fittings

- AVENTICS Series QR1 push-in connectors with easy, secure mounting are available in many versions: for tubing diameters from 3 to 16 mm, as well as in plastic, metal, and stainless steel variants. QR1 Series offers a cylindric thread that allows repeated connection and release without problems (Quick Release) and captive O-ring guarantees an optimal sealing. Our QR program offers the right solution for every application and industry.



Technical data

| | |
|----------------------------------|-------------------|
| Industry | Industrial |
| Fitting type | X-Plug connection |
| Compressed air connection type | push-in fitting |
| Port G | Ø 4 |
| Compressed air connection type 2 | push-in fitting |
| Port D | Ø 4 |
| Type | QR1-S-MXS |
| Working pressure min. | -0.95 bar |
| Working pressure max | 10 bar |
| Min. ambient temperature | 0 °C |
| Max. ambient temperature | 60 °C |
| Delivery unit | 25 piece |
| Weight | 0.0041 kg |

Material

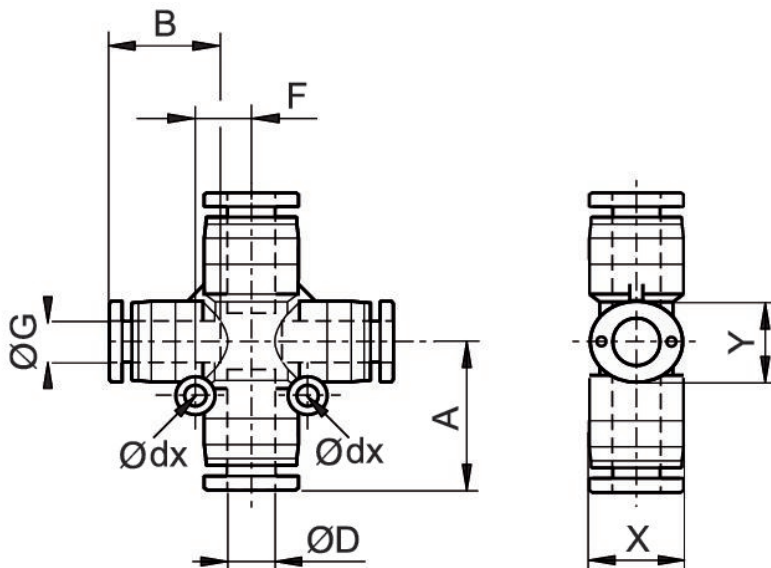
| | |
|------------------|--------------------------------|
| Surface | nickel-plated |
| Housing material | Polybutyleneterephthalate |
| Seal material | Acrylonitrile butadiene rubber |

| | |
|------------------------------|------------------------|
| Material tooth lock washer | Stainless Steel |
| Material release ring | Polyoxymethylene |
| Material release ring holder | Die cast zinc Brass |
| Surface release ring holder | nickel-plated |
| Part No. | R412005435 |

Technical information

The series QR1 (plastic) and QR2 (metal) can not be combined

Dimensions



| Part No. | Port D | Port G | Ø dx | A | B | F | X | Y |
|------------|--------|--------|------|------|------|-----|----|----|
| R412005435 | Ø 4 | Ø 4 | 3.2 | 13.6 | 11.5 | 5.5 | 10 | 8 |
| R412005436 | Ø 6 | Ø 6 | 3.2 | 15.9 | 12.5 | 6.5 | 12 | 10 |