

# QR1-S-RCA standard series

R432002351

General series information  
AVENTICS Series QR1 Fittings

- AVENTICS Series QR1 push-in connectors with easy, secure mounting are available in many versions: for tubing diameters from 3 to 16 mm, as well as in plastic, metal, and stainless steel variants. QR1 Series offers a cylindric thread that allows repeated connection and release without problems (Quick Release) and captive O-ring guarantees an optimal sealing. Our QR program offers the right solution for every application and industry.



## Technical data

Industry	Industrial
Fitting type	Sealing cap
Compressed air connection type	push-in fitting
Port G	Ø5/32
Type	QR1-S-RCA
Working pressure min.	-0.95 bar
Working pressure max	10 bar
Min. ambient temperature	0 °C
Max. ambient temperature	60 °C
Delivery unit	20 piece
Weight	0.03 kg

## Material

Surface	nickel-plated
Housing material	Polybutyleneterephthalate
Seal material	Acrylonitrile butadiene rubber
Material tooth lock washer	Stainless Steel
Material release ring	Polyoxymethylene

Material release ring holder

Die cast zinc  
Brass

Surface release ring holder

nickel-plated

Part No.

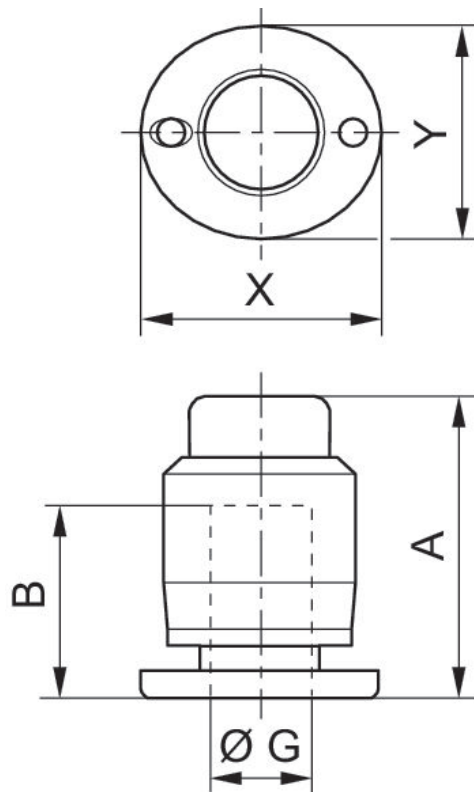
R432002351

### Technical information

The series QR1 (plastic) and QR2 (metal) can not be combined

These pneumatic components with NPT or inch thread dimensions are only available from our US sales organization.

### Dimensions in inches



### Dimensions in inches

Part No.	Port G	A	B	X	Y
R432002351	Ø5/32	0.69	0.6	0.47	0.39
R432000052	Ø1/4	0.77	0.67	0.55	0.47
R432002352	Ø5/16	0.8	0.72	0.55	0.63
R432000053	Ø3/8	0.93	0.83	0.75	0.67
R432000051	Ø1/2	1	0.89	0.91	0.83