

QR1-S-RID standard series

R432000075

General series information
AVENTICS Series QR1 Fittings

- AVENTICS Series QR1 push-in connectors with easy, secure mounting are available in many versions: for tubing diameters from 3 to 16 mm, as well as in plastic, metal, and stainless steel variants. QR1 Series offers a cylindric thread that allows repeated connection and release without problems (Quick Release) and captive O-ring guarantees an optimal sealing. Our QR program offers the right solution for every application and industry.



Technical data

Industry

Industrial

Fitting type

Swivel banjo connection 2-fold, with internal thread

Compressed air connection type

External thread

Port G

10-32 UNF

Compressed air connection type 2

push-in fitting

Port D

Ø5/32

Compressed air connection type 3

Internal thread

Compressed air connection 3

10-32 UNF

Type

QR1-S-RID

Working pressure min.

-0.95 bar

Working pressure max

10 bar

Min. ambient temperature

0 °C

Max. ambient temperature

60 °C

Weight

0.009 kg

Material

Surface

nickel-plated

Housing material

Polybutyleneterephthalate

Seal material	Acrylonitrile butadiene rubber
Material tooth lock washer	Stainless Steel
Material release ring	Polyoxymethylene
Material release ring holder	Die cast zinc Brass
Surface release ring holder	nickel-plated
Material thread	Brass
Surface thread	nickel-plated
Part No.	R432000075

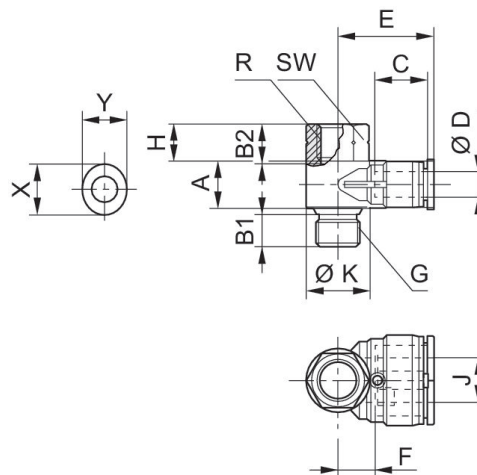
Technical information

The series QR1 (plastic) and QR2 (metal) can not be combined

Thread seal with captive O-ring

These pneumatic components with NPT or inch thread dimensions are only available from our US sales organization.

Dimensions in inches



Dimensions in inches

Part No.	Port R	Port D	Port G	A	B1	B2	C	E	H
R432000075	10-32 UNF	Ø5/32	10-32 UNF	0.35	0.16	0.2	0.2	0.83	0.26
R432000072	1/4 NPT	Ø1/4	1/8 NPT	0.59	0.32	0.47	0.47	1.19	0.45
R432000074	1/4 NPT	Ø5/16	1/4 NPT	0.71	0.43	0.51	0.51	1.35	0.53
R432000073	3/8 NPT	Ø3/8	3/8 NPT	0.83	0.47	0.63	0.63	1.51	0.67
R432000071	1/2 NPT	Ø1/2	1/2 NPT	0.83	0.59	0.63	0.63	1.51	0.67

Part No.	J	Ø K	SW	X	Y
R432000075	0.39	0.39	5/16	0.47	0.39
R432000072	0.55	0.79	9/16	0.55	0.47
R432000074	0.67	0.91	11/16	0.63	0.55

Part No.	J	Ø K	SW	X	Y
R432000073	0.79	1.18	7/8	0.75	0.67
R432000071	0.79	1.18	1	0.91	0.83