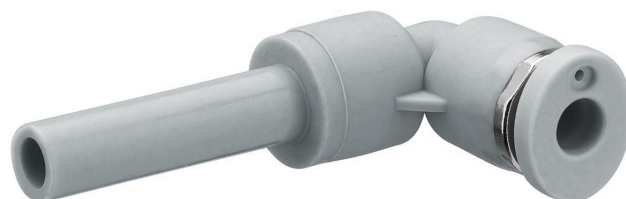


QR1-S-RLL standard series

R432000092

General series information
AVENTICS Series QR1 Fittings

- AVENTICS Series QR1 push-in connectors with easy, secure mounting are available in many versions: for tubing diameters from 3 to 16 mm, as well as in plastic, metal, and stainless steel variants. QR1 Series offers a cylindric thread that allows repeated connection and release without problems (Quick Release) and captive O-ring guarantees an optimal sealing. Our QR program offers the right solution for every application and industry.



Technical data

Industry	Industrial
Fitting type	Angled plug-in connector, long pin bushing
Compressed air connection type	Ø5/32
Port G	push-in fitting
Compressed air connection type 2	Ø5/32
Port D	QR1-S-RLL
Type	-0.95 bar
Working pressure min.	10 bar
Working pressure max.	0 °C
Min. ambient temperature	60 °C
Max. ambient temperature	10 piece
Delivery unit	0.005 kg
Weight	

Material

Surface	nickel-plated
Housing material	Polybutyleneterephthalate
Seal material	Acrylonitrile butadiene rubber

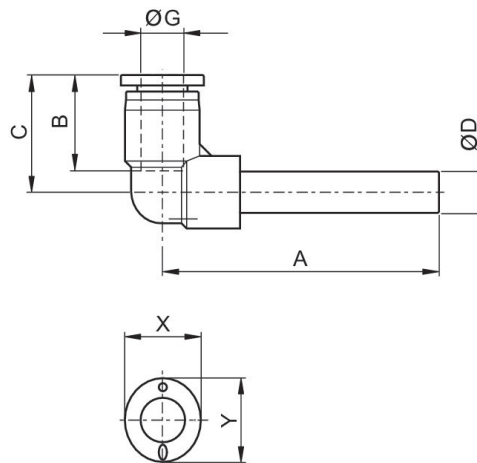
Material tooth lock washer	Stainless Steel
Material release ring	Polyoxymethylene
Material release ring holder	Die cast zinc Brass
Surface release ring holder	nickel-plated
Part No.	R432000092

Technical information

The series QR1 (plastic) and QR2 (metal) can not be combined

These pneumatic components with NPT or inch thread dimensions are only available from our US sales organization.

Dimensions in inches



Dimensions in inches

Part No.	Port D	Port G	A	B	C	X	Y
R432000092	Ø5/32	Ø5/32	1.55	0.63	0.74	0.47	0.39
R432000089	Ø1/4	Ø1/4	1.96	0.67	0.83	0.55	0.47
R432000091	Ø5/16	Ø5/16	2.13	0.73	0.9	0.63	0.55
R432000090	Ø3/8	Ø3/8	2.44	0.83	1.03	0.75	0.67
R432000088	Ø1/2	Ø1/2	2.7	0.89	1.15	0.91	0.83