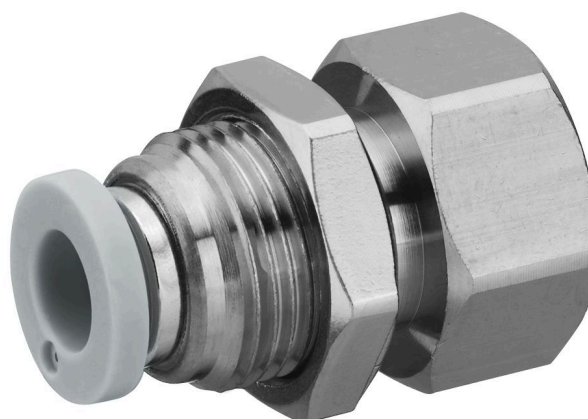


# QR1-S-RSI standard series

R412005233

General series information  
AVENTICS Series QR1 Fittings

- AVENTICS Series QR1 push-in connectors with easy, secure mounting are available in many versions: for tubing diameters from 3 to 16 mm, as well as in plastic, metal, and stainless steel variants. QR1 Series offers a cylindric thread that allows repeated connection and release without problems (Quick Release) and captive O-ring guarantees an optimal sealing. Our QR program offers the right solution for every application and industry.



## Technical data

|                                  |                    |
|----------------------------------|--------------------|
| Industry                         | Industrial         |
| Fitting type                     | Bulkhead connector |
| Compressed air connection type   | Internal thread    |
| Port G                           | G 1/4              |
| Compressed air connection type 2 | push-in fitting    |
| Port D                           | Ø 10               |
| Type                             | QR1-S-RSI          |
| Working pressure min.            | -1 bar             |
| Working pressure max             | 16 bar             |
| Min. ambient temperature         | -20 °C             |
| Max. ambient temperature         | 80 °C              |
| Min. medium temperature          | -20 °C             |
| Max. medium temperature          | 80 °C              |
| Delivery unit                    | 10 piece           |
| Weight                           | 0.0658 kg          |

## Material

|                  |       |
|------------------|-------|
| Housing material | Brass |
|------------------|-------|

|                              |                                |
|------------------------------|--------------------------------|
| Surface housing              | nickel-plated                  |
| Seal material                | Acrylonitrile butadiene rubber |
| Material tooth lock washer   | Stainless Steel                |
| Material release ring        | Polyamide                      |
| Material release ring holder | Die cast zinc                  |
| Surface release ring holder  | nickel-plated                  |
| Material thread              | Brass                          |
| Surface thread               | nickel-plated                  |
| Part No.                     | R412005233                     |

## Technical information

The series QR1 (plastic) and QR2 (metal) can not be combined

## Dimensions in mm

