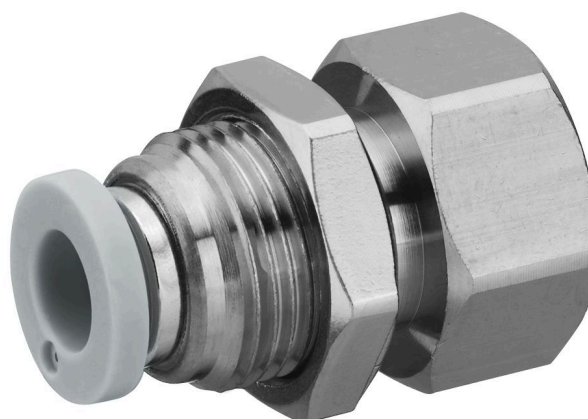


QR1-S-RSI standard series

R412005231

General series information
AVENTICS Series QR1 Fittings

- AVENTICS Series QR1 push-in connectors with easy, secure mounting are available in many versions: for tubing diameters from 3 to 16 mm, as well as in plastic, metal, and stainless steel variants. QR1 Series offers a cylindric thread that allows repeated connection and release without problems (Quick Release) and captive O-ring guarantees an optimal sealing. Our QR program offers the right solution for every application and industry.



Technical data

| | |
|----------------------------------|--------------------|
| Industry | Industrial |
| Fitting type | Bulkhead connector |
| Compressed air connection type | Internal thread |
| Port G | G 3/8 |
| Compressed air connection type 2 | push-in fitting |
| Port D | Ø 8 |
| Type | QR1-S-RSI |
| Working pressure min. | -1 bar |
| Working pressure max | 16 bar |
| Min. ambient temperature | -20 °C |
| Max. ambient temperature | 80 °C |
| Min. medium temperature | -20 °C |
| Max. medium temperature | 80 °C |
| Delivery unit | 10 piece |
| Weight | 0.0357 kg |

Material

| | |
|------------------|-------|
| Housing material | Brass |
|------------------|-------|

| | |
|------------------------------|--------------------------------|
| Surface housing | nickel-plated |
| Seal material | Acrylonitrile butadiene rubber |
| Material tooth lock washer | Stainless Steel |
| Material release ring | Polyamide |
| Material release ring holder | Die cast zinc |
| Surface release ring holder | nickel-plated |
| Material thread | Brass |
| Surface thread | nickel-plated |
| Part No. | R412005231 |

Technical information

The series QR1 (plastic) and QR2 (metal) can not be combined

Dimensions in mm

