

QR1-S-RTR standard series

R432003257

General series information AVENTICS Series QR1 Fittings

- AVENTICS Series QR1 push-in connectors with easy, secure mounting are available in many versions: for tubing diameters from 3 to 16 mm, as well as in plastic, metal, and stainless steel variants. QR1 Series offers a cylindric thread that allows repeated connection and release without problems (Quick Release) and captive O-ring guarantees an optimal sealing. Our QR program offers the right solution for every application and industry.



Technical data

Industry	Industrial
Fitting type	T-plug connector, reducing
Compressed air connection type	push-in fitting
Port G	Ø 3/8
Compressed air connection type 2	push-in fitting
Port D	Ø5/16
Type	QR1-S-RTR
Working pressure min.	-0.95 bar
Working pressure max	10 bar
Min. ambient temperature	0 °C
Max. ambient temperature	60 °C
Delivery unit	10 piece
Weight	0.018 kg

Material

Surface	nickel-plated
Housing material	Polybutyleneterephthalate
Seal material	Acrylonitrile butadiene rubber

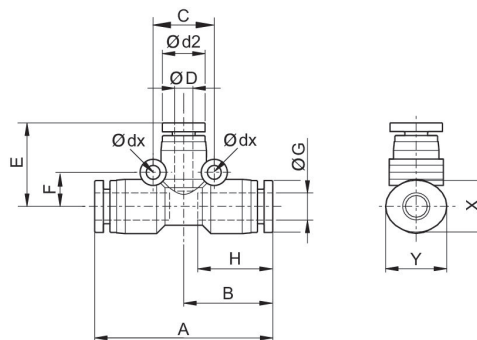
Material tooth lock washer	Stainless Steel
Material release ring	Polyoxymethylene
Material release ring holder	Die cast zinc Brass
Surface release ring holder	nickel-plated
Part No.	R432003257

Technical information

The series QR1 (plastic) and QR2 (metal) can not be combined

These pneumatic components with NPT or inch thread dimensions are only available from our US sales organization.

Dimensions in inches



Dimensions in inches

Part No.	Port D	Port G	d2	A	B	H	E	X	Y
R432003253	Ø5/32	Ø1/4	0.41	1.6	0.8	0.67	0.75	0.47	0.55
R432003254	Ø5/32	Ø5/16	0.41	1.79	0.89	0.73	0.83	0.55	0.63
R432003256	Ø1/4	Ø3/8	0.49	2.05	1.03	0.83	1	0.67	0.75
R432003257	Ø5/16	Ø3/8	0.57	2.05	1.03	0.83	0.92	0.67	0.75
R432003259	Ø3/8	Ø1/2	0.69	2.3	1.15	0.89	1.07	0.83	0.9