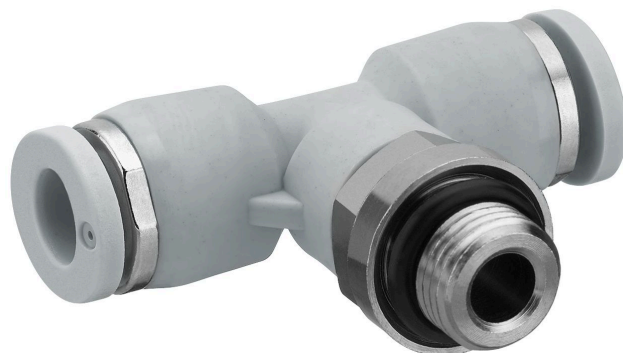


QR1-S-RTT standard series

R432000186

General series information
AVENTICS Series QR1 Fittings

- AVENTICS Series QR1 push-in connectors with easy, secure mounting are available in many versions: for tubing diameters from 3 to 16 mm, as well as in plastic, metal, and stainless steel variants. QR1 Series offers a cylindric thread that allows repeated connection and release without problems (Quick Release) and captive O-ring guarantees an optimal sealing. Our QR program offers the right solution for every application and industry.



Technical data

| | |
|----------------------------------|-----------------|
| Industry | Industrial |
| Fitting type | T-union |
| Compressed air connection type | External thread |
| Port G | 1/4 NPT |
| Compressed air connection type 2 | push-in fitting |
| Port D | Ø5/32 |
| Type | QR1-S-RTT |
| Working pressure min. | -0.95 bar |
| Working pressure max | 10 bar |
| Min. ambient temperature | 0 °C |
| Max. ambient temperature | 60 °C |
| Delivery unit | 10 piece |
| Weight | 0.04 kg |

Material

| | |
|------------------|--------------------------------|
| Surface | nickel-plated |
| Housing material | Polybutyleneterephthalate |
| Seal material | Acrylonitrile butadiene rubber |

| | |
|------------------------------|------------------------|
| Material tooth lock washer | Stainless Steel |
| Material release ring | Polyoxymethylene |
| Material release ring holder | Die cast zinc Brass |
| Surface release ring holder | nickel-plated |
| Material thread | Brass |
| Surface thread | nickel-plated |
| Part No. | R432000186 |

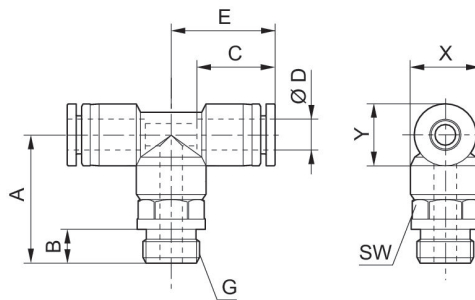
Technical information

The series QR1 (plastic) and QR2 (metal) can not be combined

Thread seal with captive O-ring

These pneumatic components with NPT or inch thread dimensions are only available from our US sales organization.

Dimensions



Dimensions in inches

| Part No. | Port D | Port G | A | B | C | E | SW | X | Y |
|------------|--------|-----------|------|------|------|------|-------|------|------|
| R432000171 | Ø1/2 | 1/2 NPT | 1.62 | 0.59 | 0.89 | 1.15 | 7/8 | 0.91 | 0.83 |
| R432000172 | Ø1/2 | 1/4 NPT | 1.46 | 0.43 | 0.89 | 1.15 | 7/8 | 0.91 | 0.83 |
| R432000173 | Ø1/2 | 3/8 NPT | 1.5 | 0.47 | 0.89 | 1.15 | 7/8 | 0.91 | 0.83 |
| R432000174 | Ø1/4 | 10-32 UNF | 0.91 | 0.22 | 0.67 | 0.81 | 1/2 | 0.55 | 0.47 |
| R432000175 | Ø1/4 | 1/4 NPT | 1.15 | 0.43 | 0.67 | 0.81 | 9/16 | 0.55 | 0.47 |
| R432000176 | Ø1/4 | 1/8 NPT | 0.99 | 0.32 | 0.67 | 0.81 | 1/2 | 0.55 | 0.47 |
| R432000177 | Ø1/4 | 3/8 NPT | 1.23 | 0.47 | 0.67 | 0.81 | 11/16 | 0.55 | 0.47 |
| R432000178 | Ø3/8 | 1/2 NPT | 1.54 | 0.59 | 0.83 | 1.03 | 7/8 | 0.75 | 0.67 |
| R432000179 | Ø3/8 | 1/4 NPT | 1.38 | 0.43 | 0.83 | 1.03 | 11/16 | 0.75 | 0.67 |
| R432000180 | Ø3/8 | 3/8 NPT | 1.42 | 0.47 | 0.83 | 1.03 | 11/16 | 0.75 | 0.67 |
| R432000181 | Ø5/16 | 1/2 NPT | 1.43 | 0.59 | 0.73 | 0.89 | 7/8 | 0.63 | 0.55 |
| R432000182 | Ø5/16 | 1/4 NPT | 1.22 | 0.43 | 0.73 | 0.89 | 9/16 | 0.63 | 0.55 |
| R432000183 | Ø5/16 | 1/8 NPT | 1.06 | 0.32 | 0.73 | 0.89 | 9/16 | 0.63 | 0.55 |
| R432000184 | Ø5/16 | 3/8 NPT | 1.26 | 0.47 | 0.73 | 0.89 | 11/16 | 0.63 | 0.55 |
| R432000185 | Ø5/32 | 10-32 UNF | 0.87 | 0.22 | 0.63 | 0.71 | 7/16 | 0.47 | 0.39 |

| Part No. | Port D | Port G | A | B | C | E | SW | X | Y |
|------------|--------|---------|------|------|------|------|-------|------|------|
| R432000186 | Ø5/32 | 1/4 NPT | 1.09 | 0.43 | 0.63 | 0.71 | 9/16 | 0.47 | 0.39 |
| R432000187 | Ø5/32 | 1/8 NPT | 0.97 | 0.32 | 0.63 | 0.71 | 7/16 | 0.47 | 0.39 |
| R432000188 | Ø5/32 | 3/8 NPT | 1.13 | 0.47 | 0.63 | 0.71 | 11/16 | 0.47 | 0.39 |
| R432002639 | Ø3/8 | 1/8 NPT | 1.26 | 0.32 | 0.83 | 1.03 | 11/16 | 0.75 | 0.67 |