

# QR1-S-RVT standard series

2122014380

General series information  
AVENTICS Series QR1 Fittings

- AVENTICS Series QR1 push-in connectors with easy, secure mounting are available in many versions: for tubing diameters from 3 to 16 mm, as well as in plastic, metal, and stainless steel variants. QR1 Series offers a cylindric thread that allows repeated connection and release without problems (Quick Release) and captive O-ring guarantees an optimal sealing. Our QR program offers the right solution for every application and industry.



## Technical data

Industry	Industrial
Fitting type	Elbow fitting
Compressed air connection type	External thread
Port G	G 3/8
Compressed air connection type 2	push-in fitting
Port D	Ø 14
Note	Due to product optimisation, the delivered article may currently deviate from the dimensions shown.
Type	QR1-S-RVT
Working pressure min.	-0.95 bar
Working pressure max	10 bar
Min. ambient temperature	0 °C
Max. ambient temperature	60 °C
Delivery unit	5 piece
Weight	0.0483 kg

## Material

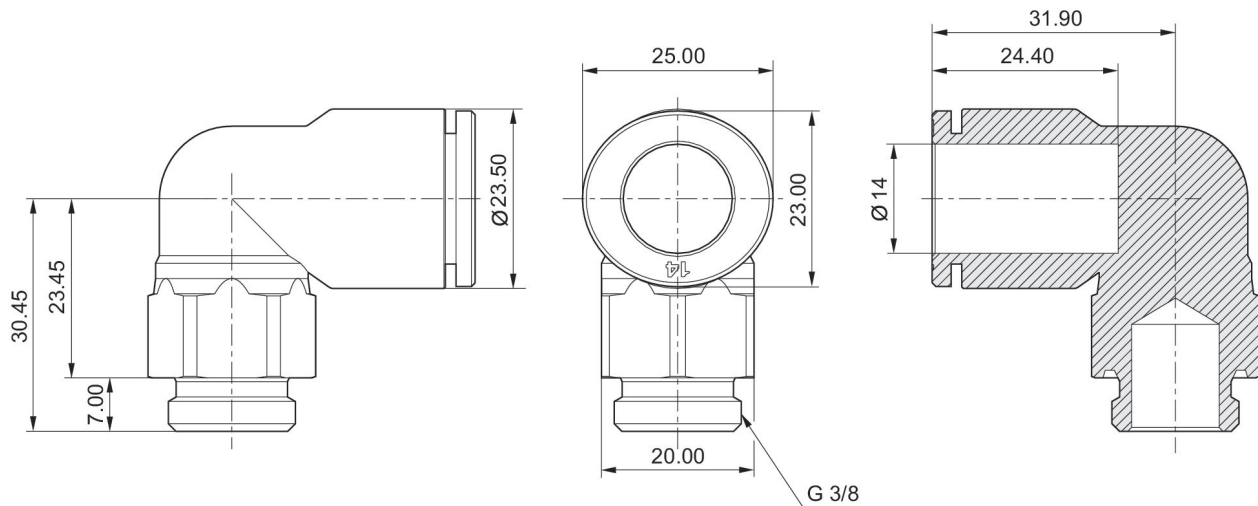
Surface	nickel-plated
Housing material	Polybutyleneterephthalate
Seal material	Acrylonitrile butadiene rubber
Material tooth lock washer	Stainless Steel
Material release ring	Polyoxymethylene

Material release ring holder	Die cast zinc Brass
Surface release ring holder	nickel-plated
Material thread	Brass
Surface thread	nickel-plated
Part No.	2122014380

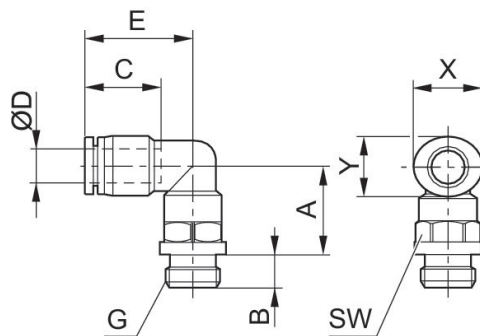
### Technical information

The series QR1 (plastic) and QR2 (metal) can not be combined  
Thread seal with captive O-ring

### Dimensions in mm



### Dimensions



Part No.	Port D	Port G	A	B	C	E	SW	X	Y
2122004050	M5	Ø 4	11.2	4	16	18.7	8	10	12
2122006050	M5	Ø 6	12.2	4	16	20	8	14	12

Part No.	Port D	Port G	A	B	C	E	SW	X	Y
2122006180	G 1/8	Ø 6	10.7	5	17	20.3	13	14	12
R412005095	G 1/8	Ø 12	18.2	5	22.5	29.2	16	23	21
2122006140	G 1/4	Ø 6	10.7	6	17	20.3	16	14	12
2122010380	G 3/8	Ø 10	13.6	7	21	27	20	19	16
2122010120	G 1/2	Ø 10	14.1	8.5	21	27	24	19	14