

QR1-S-RWD standard series

R432000009

General series information
AVENTICS Series QR1 Fittings

- AVENTICS Series QR1 push-in connectors with easy, secure mounting are available in many versions: for tubing diameters from 3 to 16 mm, as well as in plastic, metal, and stainless steel variants. QR1 Series offers a cylindric thread that allows repeated connection and release without problems (Quick Release) and captive O-ring guarantees an optimal sealing. Our QR program offers the right solution for every application and industry.



Technical data

| | |
|----------------------------------|--|
| Industry | Industrial |
| Fitting type | Swivel banjo connection 2-fold, with internal thread |
| Compressed air connection type | External thread |
| Port G | 3/8 NPT |
| Compressed air connection type 2 | push-in fitting |
| Port D | Ø 3/8 |
| Compressed air connection type 3 | Internal thread |
| Compressed air connection 3 | G 1/2 |
| Type | QR1-S-RWD |
| Working pressure min. | -0.95 bar |
| Working pressure max | 10 bar |
| Min. ambient temperature | 0 °C |
| Max. ambient temperature | 60 °C |
| Delivery unit | 5 piece |
| Weight | 0.1182 kg |

Material

| | |
|---------|---------------|
| Surface | nickel-plated |
|---------|---------------|

| | |
|------------------------------|--------------------------------|
| Housing material | Polybutyleneterephthalate |
| Seal material | Acrylonitrile butadiene rubber |
| Material tooth lock washer | Stainless Steel |
| Material release ring | Polyoxymethylene |
| Material release ring holder | Die cast zinc Brass |
| Surface release ring holder | nickel-plated |
| Material thread | Brass |
| Surface thread | nickel-plated |
| Part No. | R432000009 |

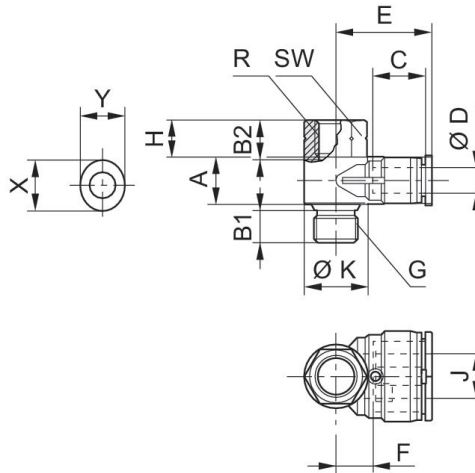
Technical information

The series QR1 (plastic) and QR2 (metal) can not be combined

Thread seal with captive O-ring

These pneumatic components with NPT or inch thread dimensions are only available from our US sales organization.

Dimensions in inches



Dimensions in inches

| Part No. | Port R | Port D | Port G | A | B1 | B2 | C | E | H |
|------------|--------|--------|---------|-------|------|----|------|------|------|
| R432000011 | G 1/2 | Ø5/32 | 3/8 NPT | 0.35 | 0.19 | -- | 0.63 | 0.83 | 0.26 |
| R432000008 | G 1/2 | Ø1/4 | 3/8 NPT | 0.591 | 0.32 | -- | 0.67 | 1.19 | 0.45 |
| R432000010 | G 1/2 | Ø5/16 | 3/8 NPT | 0.71 | 0.43 | -- | 0.73 | 1.35 | 0.53 |
| R432000009 | G 1/2 | Ø 3/8 | 3/8 NPT | 0.83 | 0.47 | -- | 0.83 | 1.51 | 0.67 |
| R432000007 | G 1/2 | Ø1/2 | 3/8 NPT | 0.83 | 0.59 | -- | 0.89 | 1.51 | 0.67 |

| Part No. | J | Ø K | SW | X | Y |
|------------|------|------|------|------|------|
| R432000011 | 0.4 | 0.39 | 5/16 | 0.47 | 0.39 |
| R432000008 | 0.55 | 0.79 | 9/16 | 0.55 | 0.47 |

| Part No. | J | Ø K | SW | X | Y |
|------------|------|------|-------|------|------|
| R432000010 | 0.67 | 0.91 | 11/16 | 0.63 | 0.55 |
| R432000009 | 0.79 | 1.18 | 7/8 | 0.75 | 0.67 |
| R432000007 | 0.79 | 1.18 | 1 | 0.91 | 0.83 |