

QR1-S-RXS standard series

R432000260

General series information
AVENTICS Series QR1 Fittings

- AVENTICS Series QR1 push-in connectors with easy, secure mounting are available in many versions: for tubing diameters from 3 to 16 mm, as well as in plastic, metal, and stainless steel variants. QR1 Series offers a cylindric thread that allows repeated connection and release without problems (Quick Release) and captive O-ring guarantees an optimal sealing. Our QR program offers the right solution for every application and industry.



Technical data

| | |
|----------------------------------|-------------------|
| Industry | Industrial |
| Fitting type | X-Plug connection |
| Compressed air connection type | push-in fitting |
| Port G | Ø5/32 |
| Compressed air connection type 2 | push-in fitting |
| Port D | Ø5/32 |
| Type | QR1-S-RXS |
| Working pressure min. | -0.95 bar |
| Working pressure max | 10 bar |
| Min. ambient temperature | 0 °C |
| Max. ambient temperature | 60 °C |
| Delivery unit | 10 piece |
| Weight | 0.041 kg |

Material

| | |
|------------------|--------------------------------|
| Surface | nickel-plated |
| Housing material | Polybutyleneterephthalate |
| Seal material | Acrylonitrile butadiene rubber |

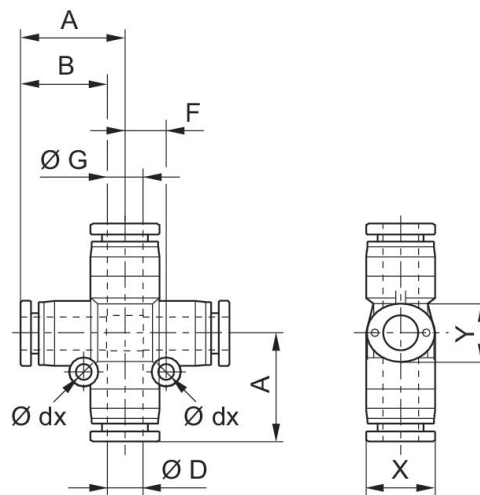
| | |
|------------------------------|------------------------|
| Material tooth lock washer | Stainless Steel |
| Material release ring | Polyoxymethylene |
| Material release ring holder | Die cast zinc Brass |
| Surface release ring holder | nickel-plated |
| Part No. | R432000260 |

Technical information

The series QR1 (plastic) and QR2 (metal) can not be combined

These pneumatic components with NPT or inch thread dimensions are only available from our US sales organization.

Dimensions in inches



Dimensions in inches

| Part No. | Port D | Port G | A | B | X | Y |
|------------|--------------------|--------------------|------|------|------|------|
| R432000260 | $\varnothing 5/32$ | $\varnothing 5/32$ | 0.73 | 0.63 | 0.39 | 0.47 |
| R432000257 | $\varnothing 1/4$ | $\varnothing 1/4$ | 0.9 | 0.67 | 0.47 | 0.55 |
| R432000259 | $\varnothing 5/16$ | $\varnothing 5/16$ | 1.02 | 0.73 | 0.55 | 0.63 |
| R432000258 | $\varnothing 3/8$ | $\varnothing 3/8$ | 1.15 | 0.83 | 0.67 | 0.75 |
| R432000256 | $\varnothing 1/2$ | $\varnothing 1/2$ | 1.15 | 0.89 | 0.83 | 0.91 |