

AVENTICS Series QR2 Fittings

AVENTICS Series QR2, push-in connectors with easy, secure mounting are available in many versions: In metal for tubing diameters from 3 to 16 mm. QR2 Series offers a cylindric thread that allows repeated connection and release without problems (Quick Release) and captive O-ring guarantees an optimal sealing. Our QR program offers the right solution for every application and industry.



Technical data

Industry	Industrial
Fitting type	T-plug connector
Compressed air connection type	push-in fitting
Port G	Ø 8
Compressed air connection type 2	push-in fitting
Port D	Ø 8
Type	QR2-F-RTK
Min. working pressure	-0.95 bar
Max. working pressure	16 bar
Min. ambient temperature	-20 °C
Max. ambient temperature	150 °C
Delivery unit	10 piece
Weight	0.023 kg

Material

Housing material	Brass
Surface housing	nickel-plated
Seal material	Fluorocautchouc
Material tooth lock washer	Stainless Steel

Series QR2-F-RTK Heat-resistant

2024-04-10

1823381052

Material release ring

Brass

Surface release ring

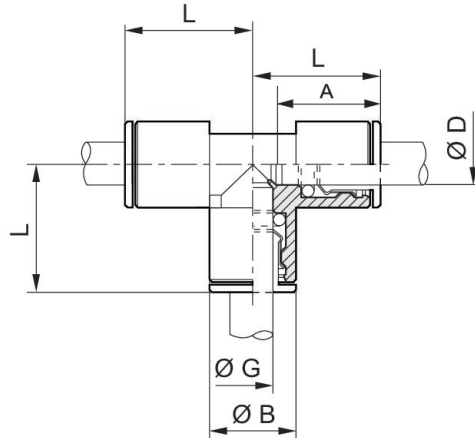
nickel-plated

Part No.

1823381052

Technical information

The series QR1 (plastic) and QR2 (metal) can not be combined



Part No.	Port D	Port G	Ø B	L	A Insertion depth
1823381050	Ø 4	Ø 4	9	17.5	15
1823381051	Ø 6	Ø 6	11	19.5	16
1823381052	Ø 8	Ø 8	13	23	18
1823381053	Ø 10	Ø 10	15	25	19
R412007732	Ø 12	Ø 12	17	27	20