

## AVENTICS Series QR2 Fittings

AVENTICS Series QR2, push-in connectors with easy, secure mounting are available in many versions: In metal for tubing diameters from 3 to 16 mm. QR2 Series offers a cylindric thread that allows repeated connection and release without problems (Quick Release) and captive O-ring guarantees an optimal sealing. Our QR program offers the right solution for every application and industry.



## Technical data

|                                  |                  |
|----------------------------------|------------------|
| Industry                         | Industrial       |
| Fitting type                     | T-plug connector |
| Compressed air connection type   | push-in fitting  |
| Port G                           | Ø 10             |
| Compressed air connection type 2 | push-in fitting  |
| Port D                           | Ø 10             |
| Type                             | QR2-F-RTK        |
| Min. working pressure            | -0.95 bar        |
| Max. working pressure            | 16 bar           |
| Min. ambient temperature         | -20 °C           |
| Max. ambient temperature         | 150 °C           |
| Delivery unit                    | 10 piece         |
| Weight                           | 0.048 kg         |

## Material

|                            |                  |
|----------------------------|------------------|
| Housing material           | Brass            |
| Surface housing            | nickel-plated    |
| Seal material              | Fluorocaoutchouc |
| Material tooth lock washer | Stainless Steel  |

# Series QR2-F-RTK Heat-resistant

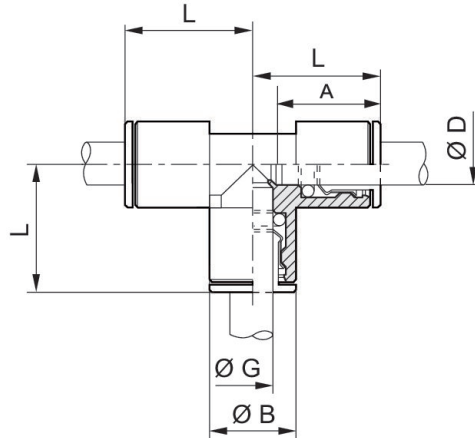
2024-04-10

1823381053

Material release ring Brass  
Surface release ring nickel-plated  
Part No. 1823381053

## Technical information

The series QR1 (plastic) and QR2 (metal) can not be combined



| Part No.   | Port D | Port G | Ø B | L    | A Insertion depth |
|------------|--------|--------|-----|------|-------------------|
| 1823381050 | Ø 4    | Ø 4    | 9   | 17.5 | 15                |
| 1823381051 | Ø 6    | Ø 6    | 11  | 19.5 | 16                |
| 1823381052 | Ø 8    | Ø 8    | 13  | 23   | 18                |
| 1823381053 | Ø 10   | Ø 10   | 15  | 25   | 19                |
| R412007732 | Ø 12   | Ø 12   | 17  | 27   | 20                |