

AVENTICS Series QR2 Fittings

AVENTICS Series QR2, push-in connectors with easy, secure mounting are available in many versions: In metal for tubing diameters from 3 to 16 mm. QR2 Series offers a cylindric thread that allows repeated connection and release without problems (Quick Release) and captive O-ring guarantees an optimal sealing. Our QR program offers the right solution for every application and industry.

Technical data

Industry	Industrial
Fitting type	Push-in connector, long
Compressed air connection type	External thread
Port G	G 1/8
Compressed air connection type 2	pin bushing
Port D	Ø 6
Type	QR2-S-RAL
Min. working pressure	-0.95 bar
Max. working pressure	16 bar
Min. ambient temperature	-20 °C
Max. ambient temperature	80 °C
Delivery unit	25 piece
Weight	0.015 kg

Material

Housing material	Brass
Surface housing	nickel-plated
Seal material	Acrylonitrile butadiene rubber
Material tooth lock washer	Stainless Steel
Material release ring	Brass
Surface release ring	nickel-plated
Material thread	Brass
Surface thread	nickel-plated
Part No.	1823373075

Technical information

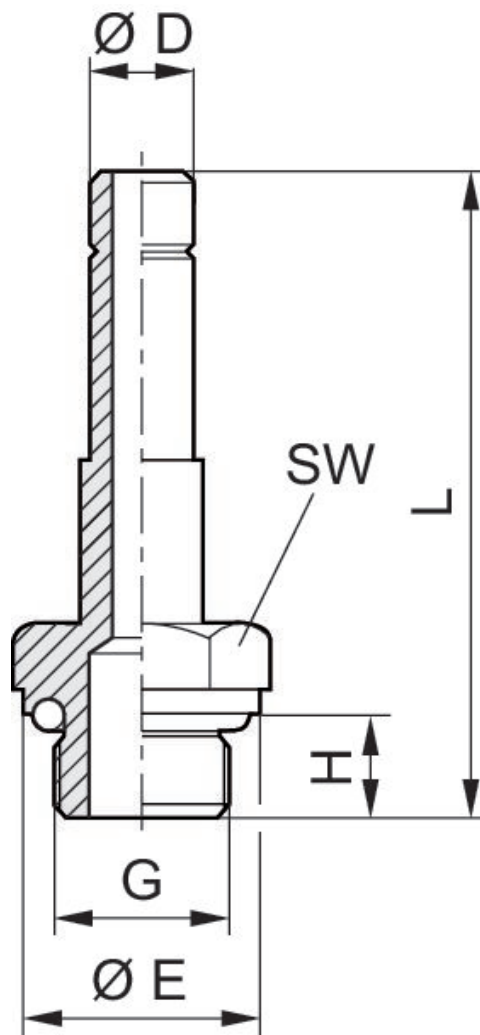
The series QR1 (plastic) and QR2 (metal) can not be combined

Thread seal with captive O-ring

Series QR2-S-RAL standard

2024-04-10

1823373075



Part No.	Port D	Port G	L	H	Ø E	SW
1823391887	Ø 4	M7	38	6	-	10
1823391888	Ø 6	M7	42	6	-	10
1823373074	Ø 4	G 1/8	39.7	6	13	13
1823373075	Ø 6	G 1/8	43.5	6	13	13
1823373076	Ø 8	G 1/8	47.5	6	13	13
1823373077	Ø 6	G 1/4	46	8	16	13
1823373078	Ø 8	G 1/4	49.7	8	16	13