

AVENTICS Series QR2 Fittings

AVENTICS Series QR2, push-in connectors with easy, secure mounting are available in many versions: In metal for tubing diameters from 3 to 16 mm. QR2 Series offers a cylindric thread that allows repeated connection and release without problems (Quick Release) and captive O-ring guarantees an optimal sealing. Our QR program offers the right solution for every application and industry.



Technical data

| | |
|----------------------------------|------------------|
| Industry | Industrial |
| Fitting type | Straight fitting |
| Compressed air connection type | External thread |
| Port G | G 1/2 |
| Compressed air connection type 2 | push-in fitting |
| Port D | Ø16 |
| Type | QR2-S-RPN |
| Min. working pressure | -0.95 bar |
| Max. working pressure | 16 bar |
| Min. ambient temperature | -20 °C |
| Max. ambient temperature | 80 °C |
| Delivery unit | 1 piece |
| Weight | 0.072 kg |

Material

| | |
|----------------------------|--------------------------------|
| Housing material | Brass |
| Surface housing | nickel-plated |
| Seal material | Acrylonitrile butadiene rubber |
| Material tooth lock washer | Stainless Steel |

Series QR2-S-RPN standard

2024-04-10

R412007955

| | |
|-----------------------|---------------|
| Material release ring | Brass |
| Surface release ring | nickel-plated |
| Material thread | Brass |
| Surface thread | nickel-plated |
| Part No. | R412007955 |

Technical information

The series QR1 (plastic) and QR2 (metal) can not be combined
Thread seal with captive O-ring

Dimensions

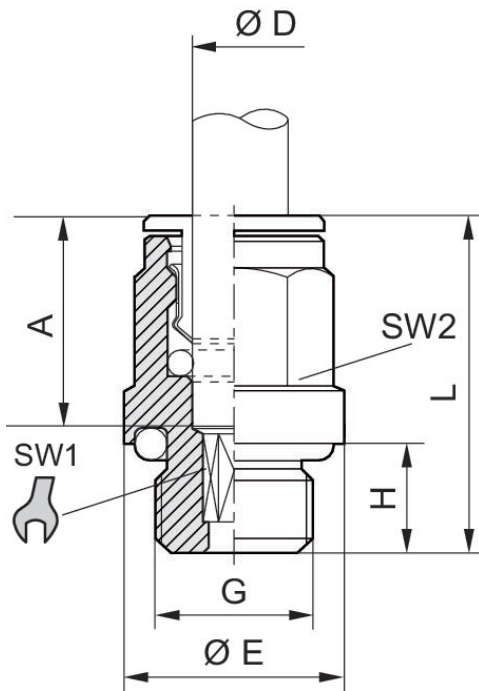
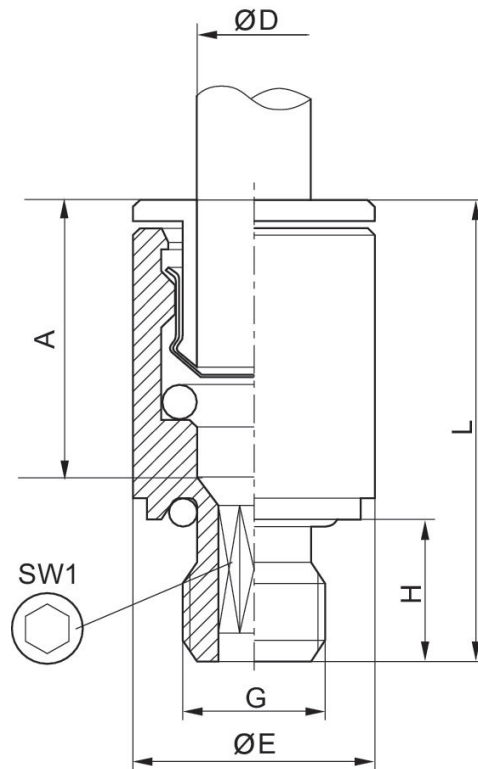


Fig. 2

Series QR2-S-RPN standard

2024-04-10

R412007955



| Part No. | Port D | Port G | Ø E | H | L | A Insertion depth | SW 1 | SW 2 | Fig. |
|------------|--------|--------|------|-----|------|-------------------|------|------|--------|
| 1823373038 | Ø 4 | M5 | 9 | 4 | 20.5 | 15 | 2.5 | – | Fig. 1 |
| 1823373039 | Ø 5 | M5 | 9.5 | 4 | 22 | 16 | 2.5 | – | Fig. 1 |
| 1823373040 | Ø 6 | M5 | 10.5 | 4 | 22 | 16 | 2.5 | – | Fig. 1 |
| 1823373100 | Ø 4 | M7 | 10.8 | 6 | 22 | 15 | 2.5 | 9 | Fig. 1 |
| 1823373088 | Ø 6 | M7 | 10.5 | 6 | 24 | 16 | 3.5 | – | Fig. 1 |
| 1823373041 | Ø 4 | G 1/8 | 13.5 | 6 | 20 | 15 | 2.5 | 9 | Fig. 1 |
| 1823373042 | Ø 5 | G 1/8 | 13.5 | 6 | 22 | 16 | 4 | 10 | Fig. 1 |
| 1823373043 | Ø 6 | G 1/8 | 13.5 | 6 | 24 | 16 | 4 | 11 | Fig. 1 |
| 1823373044 | Ø 8 | G 1/8 | 13 | 6 | 26.5 | 18 | 5 | 13 | Fig. 1 |
| 1823373045 | Ø 4 | G 1/4 | 17 | 8 | 21 | 15 | 2.5 | 9 | Fig. 1 |
| 1823373046 | Ø 5 | G 1/4 | 17 | 8 | 22 | 16 | 4 | 10 | Fig. 1 |
| 1823373047 | Ø 6 | G 1/4 | 17 | 6.5 | 22.5 | 16 | 4 | 11 | Fig. 1 |
| 1823373048 | Ø 8 | G 1/4 | 17 | 8 | 25 | 18 | 6 | 13 | Fig. 1 |
| 1823373049 | Ø 10 | G 1/4 | 16 | 8 | 29.5 | 19 | 7 | 16 | Fig. 1 |
| 1823391809 | Ø 12 | G 1/4 | 16 | 6.5 | 30 | 20 | 7 | 18 | Fig. 1 |
| R412004708 | Ø 12 | G 1/4 | 17 | 8.3 | 31 | | 7 | – | Fig. 1 |
| 1823373050 | Ø 8 | G 3/8 | 20 | 9 | 25 | 18 | 6 | 13 | Fig. 1 |
| 1823373051 | Ø 10 | G 3/8 | 21 | 9 | 29.5 | 19 | 8 | 16 | Fig. 1 |
| 1823373052 | Ø 12 | G 3/8 | 21 | 9 | 31 | 20 | 10 | 18 | Fig. 1 |
| 1823373053 | Ø 14 | G 3/8 | 21 | 9 | 34 | 22 | 10 | 21 | Fig. 1 |
| 1823373054 | Ø 12 | G 1/2 | 24 | 11 | 31 | 20 | 10 | 18 | Fig. 1 |
| 1823373055 | Ø 14 | G 1/2 | 24 | 11 | 34 | 22 | 12 | 21 | Fig. 1 |

Series QR2-S-RPN standard

2024-04-10

R412007955

| Part No. | Port D | Port G | Ø E | H | L | A Insertion depth | SW 1 | SW 2 | Fig. |
|------------|--------|--------|-----|----|----|-------------------|------|------|--------|
| R412007955 | Ø16 | G 1/2 | 24 | 11 | 37 | | 12 | 24 | Fig. 1 |