

## AVENTICS Series QR2 Fittings

AVENTICS Series QR2, push-in connectors with easy, secure mounting are available in many versions: In metal for tubing diameters from 3 to 16 mm. QR2 Series offers a cylindric thread that allows repeated connection and release without problems (Quick Release) and captive O-ring guarantees an optimal sealing. Our QR program offers the right solution for every application and industry.



## Technical data

Industry	Industrial
Fitting type	Straight fitting
Compressed air connection type	External thread
Port G	M7
Compressed air connection type 2	push-in fitting
Port D	Ø 6
Type	QR2-S-RPN
Min. working pressure	-0.95 bar
Max. working pressure	16 bar
Min. ambient temperature	-20 °C
Max. ambient temperature	80 °C
Delivery unit	25 piece
Weight	0.005 kg

## Material

Housing material	Brass
Surface housing	nickel-plated
Seal material	Acrylonitrile butadiene rubber
Material tooth lock washer	Stainless Steel

# Series QR2-S-RPN standard

2024-04-10

1823373088

Material release ring	Brass
Surface release ring	nickel-plated
Material thread	Brass
Surface thread	nickel-plated
Part No.	1823373088

## Technical information

The series QR1 (plastic) and QR2 (metal) can not be combined  
Thread seal with captive O-ring

## Dimensions

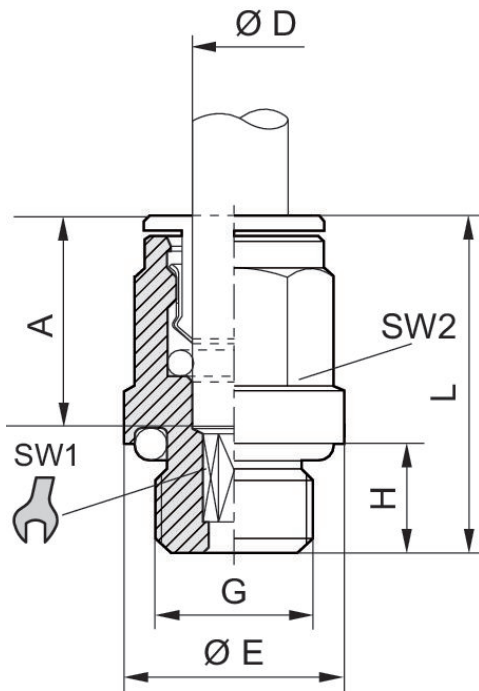
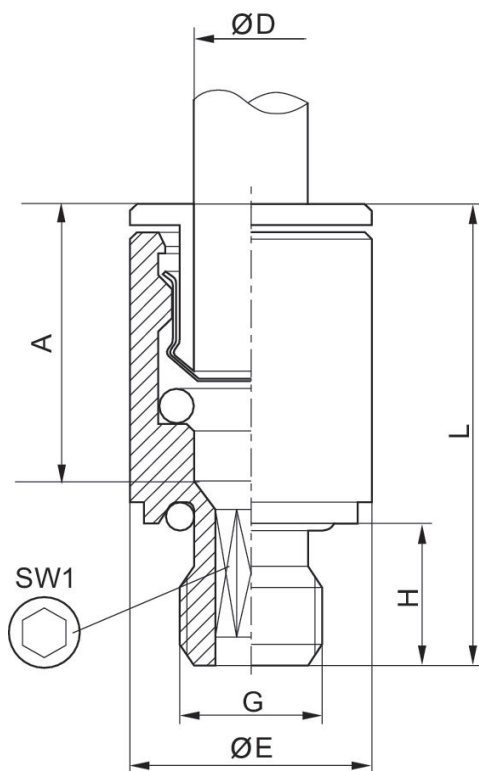


Fig. 2



Part No.	Port D	Port G	Ø E	H	L	A Insertion depth	SW 1	SW 2	Fig.
1823373038	Ø 4	M5	9	4	20.5	15	2.5	–	Fig. 2
1823373039	Ø 5	M5	9.5	4	22	16	2.5	–	Fig. 2
1823373040	Ø 6	M5	10.5	4	22	16	2.5	–	Fig. 2
1823373100	Ø 4	M7	10.8	6	22	15	2.5	9	Fig. 2
1823373088	Ø 6	M7	10.5	6	24	16	3.5	–	Fig. 2
1823373041	Ø 4	G 1/8	13.5	6	20	15	2.5	9	Fig. 2
1823373042	Ø 5	G 1/8	13.5	6	22	16	4	10	Fig. 2
1823373043	Ø 6	G 1/8	13.5	6	24	16	4	11	Fig. 2
1823373044	Ø 8	G 1/8	13	6	26.5	18	5	13	Fig. 2
1823373045	Ø 4	G 1/4	17	8	21	15	2.5	9	Fig. 2
1823373046	Ø 5	G 1/4	17	8	22	16	4	10	Fig. 2
1823373047	Ø 6	G 1/4	17	6.5	22.5	16	4	11	Fig. 2
1823373048	Ø 8	G 1/4	17	8	25	18	6	13	Fig. 2
1823373049	Ø 10	G 1/4	16	8	29.5	19	7	16	Fig. 2
1823391809	Ø 12	G 1/4	16	6.5	30	20	7	18	Fig. 2
R412004708	Ø 12	G 1/4	17	8.3	31		7	–	Fig. 2
1823373050	Ø 8	G 3/8	20	9	25	18	6	13	Fig. 2
1823373051	Ø 10	G 3/8	21	9	29.5	19	8	16	Fig. 2
1823373052	Ø 12	G 3/8	21	9	31	20	10	18	Fig. 2
1823373053	Ø 14	G 3/8	21	9	34	22	10	21	Fig. 2
1823373054	Ø 12	G 1/2	24	11	31	20	10	18	Fig. 2
1823373055	Ø 14	G 1/2	24	11	34	22	12	21	Fig. 2

# Series QR2-S-RPN standard

2024-04-10

1823373088

---

Part No.	Port D	Port G	Ø E	H	L	A Insertion depth	SW 1	SW 2	Fig.
R412007955	Ø16	G 1/2	24	11	37		12	24	Fig. 2