

AVENTICS Series QR2 Fittings

AVENTICS Series QR2, push-in connectors with easy, secure mounting are available in many versions: In metal for tubing diameters from 3 to 16 mm. QR2 Series offers a cylindric thread that allows repeated connection and release without problems (Quick Release) and captive O-ring guarantees an optimal sealing. Our QR program offers the right solution for every application and industry.



Technical data

| | |
|----------------------------------|--|
| Industry | Industrial |
| Fitting type | T-banjo connection with hexagon socket rotatable |
| Compressed air connection type | External thread |
| Port G | G 1/4 |
| Compressed air connection type 2 | push-in fitting |
| Port D | Ø 10 |
| Type | QR2-S-RTI |
| Min. working pressure | -0.95 bar |
| Max. working pressure | 16 bar |
| Min. ambient temperature | -20 °C |
| Max. ambient temperature | 80 °C |
| Delivery unit | 10 piece |
| Weight | 0.054 kg |

Material

| | |
|------------------|--------------------------------|
| Housing material | Brass |
| Surface housing | nickel-plated |
| Seal material | Acrylonitrile butadiene rubber |

Series QR2-S-RTI standard

2024-04-10

1823391669

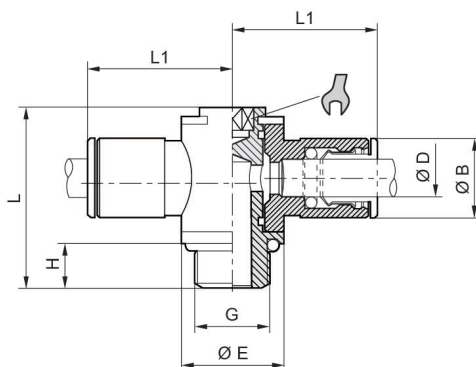
| | |
|----------------------------|-----------------|
| Material tooth lock washer | Stainless Steel |
| Material release ring | Brass |
| Surface release ring | nickel-plated |
| Material thread | Brass |
| Surface thread | nickel-plated |
| Part No. | 1823391669 |

Technical information

The series QR1 (plastic) and QR2 (metal) can not be combined

Thread seal with captive O-ring

Dimensions



| Part No. | Port D | Port G | L | L1 | H | Ø B | Ø E | SW |
|------------|--------|--------|------|------|---|-----|-----|----|
| 1823391661 | Ø 4 | M5 | 17 | 18.5 | 4 | 9 | 8 | 2 |
| 1823391662 | Ø 5 | M5 | 17 | 19.5 | 4 | 10 | 8 | 2 |
| 1823391663 | Ø 4 | G 1/8 | 25 | 21 | 6 | 9 | 14 | 3 |
| 1823391664 | Ø 5 | G 1/8 | 25 | 22.5 | 6 | 10 | 14 | 3 |
| 1823391665 | Ø 6 | G 1/8 | 25 | 23 | 6 | 11 | 14 | 3 |
| 1823391666 | Ø 8 | G 1/8 | 25 | 24.5 | 6 | 13 | 14 | 3 |
| 1823391667 | Ø 6 | G 1/4 | 29.3 | 24 | 8 | 11 | 18 | 4 |
| 1823391668 | Ø 8 | G 1/4 | 29.3 | 26 | 8 | 13 | 18 | 4 |
| 1823391669 | Ø 10 | G 1/4 | 29.3 | 27 | 8 | 15 | 18 | 4 |
| 1823391900 | Ø 8 | G 3/8 | 34 | 28 | 9 | 13 | 21 | 5 |
| 1823391901 | Ø 10 | G 3/8 | 34 | 29 | 9 | 15 | 21 | 5 |
| 1823391902 | Ø 12 | G 3/8 | 34 | 29 | 9 | 17 | 21 | 5 |