

## AVENTICS Series QR2 Fittings

AVENTICS Series QR2, push-in connectors with easy, secure mounting are available in many versions: In metal for tubing diameters from 3 to 16 mm. QR2 Series offers a cylindric thread that allows repeated connection and release without problems (Quick Release) and captive O-ring guarantees an optimal sealing. Our QR program offers the right solution for every application and industry.



## Technical data

Industry	Industrial
Fitting type	T-plug connector
Compressed air connection type	push-in fitting
Port G	Ø 8
Compressed air connection type 2	push-in fitting
Port D	Ø 8
Type	QR2-S-RTK
Min. working pressure	-0.95 bar
Max. working pressure	16 bar
Min. ambient temperature	-20 °C
Max. ambient temperature	80 °C
Delivery unit	10 piece
Weight	0.027 kg

## Material

Housing material	Brass
Surface housing	nickel-plated
Seal material	Acrylonitrile butadiene rubber
Material tooth lock washer	Stainless Steel

# Series QR2-S-RTK standard

2024-04-10

1823381046

Material release ring

Brass

Surface release ring

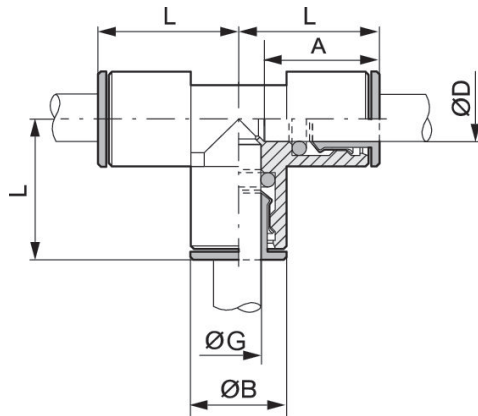
nickel-plated

Part No.

1823381046

## Technical information

The series QR1 (plastic) and QR2 (metal) can not be combined



Part No.	Port D	Port G	$\text{ØB}$	L	A Insertion depth
1823381043	$\text{Ø} 4$	$\text{Ø} 4$	9	17.5	15
1823381044	$\text{Ø} 5$	$\text{Ø} 5$	10	19	16
1823381045	$\text{Ø} 6$	$\text{Ø} 6$	11	19.5	16
1823381046	$\text{Ø} 8$	$\text{Ø} 8$	13	23	18
1823381047	$\text{Ø} 10$	$\text{Ø} 10$	15	25	15
1823381048	$\text{Ø} 12$	$\text{Ø} 12$	17	27	20
1823381049	$\text{Ø} 14$	$\text{Ø} 14$	20	30	22
R412010541	$\text{Ø} 16$	$\text{Ø} 16$	23	36	25