

## AVENTICS Series QR2 Fittings

AVENTICS Series QR2, push-in connectors with easy, secure mounting are available in many versions: In metal for tubing diameters from 3 to 16 mm. QR2 Series offers a cylindric thread that allows repeated connection and release without problems (Quick Release) and captive O-ring guarantees an optimal sealing. Our QR program offers the right solution for every application and industry.



## Technical data

Industry	Industrial
Fitting type	T-union rotatable
Compressed air connection type	External thread
Port G	G 1/4
Compressed air connection type 2	push-in fitting
Port D	Ø 12
Type	QR2-S-RTT
Min. working pressure	-0.95 bar
Max. working pressure	16 bar
Min. ambient temperature	-20 °C
Max. ambient temperature	80 °C
Delivery unit	10 piece
Weight	0.072 kg

## Material

Housing material	Brass
Surface housing	nickel-plated
Seal material	Acrylonitrile butadiene rubber

# Series QR2-S-RTT standard

2024-04-10

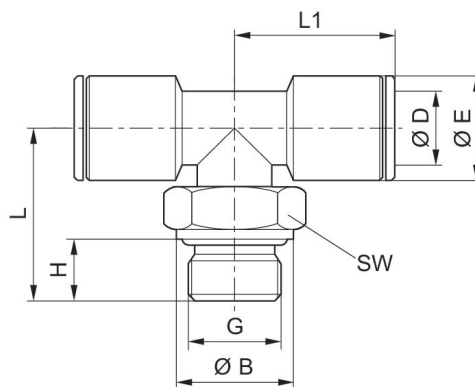
1823391823

Material tooth lock washer	Stainless Steel
Material release ring	Brass
Surface release ring	nickel-plated
Material thread	Brass
Surface thread	nickel-plated
Part No.	1823391823

## Technical information

The series QR1 (plastic) and QR2 (metal) can not be combined

Thread seal with captive O-ring



Part No.	Port D	Port G	Ø B	Ø E	H	L	L1	SW
1823391812	Ø 4	M5	8	9	4	16.5	19	9
1823391813	Ø 4	G 1/8	12.8	9	5.8	18.5	17.5	13
1823391814	Ø 6	G 1/8	13	11	6	20	21	13
1823391815	Ø 8	G 1/8	13	13	6	20	23	13
1823391816	Ø 4	G 1/4	12.8	9	8	22.5	19	13
1823391817	Ø 6	G 1/4	16	11	8	24	21	13
1823391818	Ø 8	G 1/4	16	13	8	24	23	13
1823391819	Ø 10	G 1/4	15.8	15	8	24.5	25	16
1823391823	Ø 12	G 1/4	16	17	8	28.5	28	16
1823391820	Ø 8	G 3/8	20	13	9	25.5	24	18
1823391821	Ø 10	G 3/8	20	15	9	28	26	16
1823391822	Ø 12	G 3/8	20	17	9	26.5	27	18
1823391824	Ø 14	G 1/2	25	20	11	33.5	31	20