

AVENTICS Series QR2 Fittings

AVENTICS Series QR2, push-in connectors with easy, secure mounting are available in many versions: In metal for tubing diameters from 3 to 16 mm. QR2 Series offers a cylindric thread that allows repeated connection and release without problems (Quick Release) and captive O-ring guarantees an optimal sealing. Our QR program offers the right solution for every application and industry.



Technical data

Industry	Industrial
Fitting type	Angled plug-in connector
Compressed air connection type	pin bushing
Port G	Ø 8
Compressed air connection type 2	push-in fitting
Port D	Ø 8
Type	QR2-S-RVA
Min. working pressure	-0.95 bar
Max. working pressure	16 bar
Min. ambient temperature	-20 °C
Max. ambient temperature	80 °C
Delivery unit	10 piece
Weight	0.016 kg

Material

Housing material	Brass
Surface housing	nickel-plated
Seal material	Acrylonitrile butadiene rubber
Material tooth lock washer	Stainless Steel

Series QR2-S-RVA standard

2024-04-10

1823391942

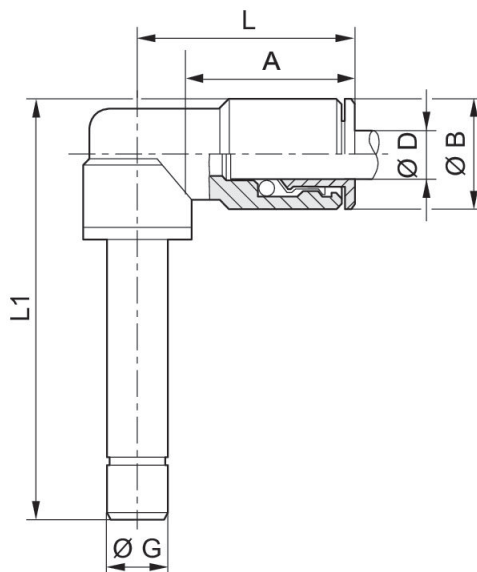
Material release ring
Surface release ring
Part No.

Brass
nickel-plated
1823391942

Technical information

The series QR1 (plastic) and QR2 (metal) can not be combined

Dimensions



Part No.	Port D	Port G	Ø D	Ø B	L	L1	A Insertion depth
R412004851	Ø 4	Ø 4	4	9	18	24.5	15
R412004852	Ø 6	Ø 6	6	11	20	32	16
1823391942	Ø 8	Ø 8	8	13	23	37.5	17.5
1823391943	Ø 10	Ø 10	10	15	25	43.1	19
1823391944	Ø 12	Ø 12	12	17	27	49.5	20
R412010739	Ø 14	Ø 14	14	20	32	54	22.5