

AVENTICS Series QR2 Fittings

AVENTICS Series QR2, push-in connectors with easy, secure mounting are available in many versions: In metal for tubing diameters from 3 to 16 mm. QR2 Series offers a cylindric thread that allows repeated connection and release without problems (Quick Release) and captive O-ring guarantees an optimal sealing. Our QR program offers the right solution for every application and industry.



Technical data

| | |
|----------------------------------|----------------------------|
| Industry | Industrial |
| Fitting type | Elbow fitting rotatable |
| Compressed air connection type | External thread |
| Port G | G 3/8 |
| Compressed air connection type 2 | push-in fitting |
| Port D | Ø 12 |
| Type | QR2-S-RVT |
| Min. working pressure | -0.95 bar |
| Max. working pressure | 16 bar |
| Min. ambient temperature | -20 °C |
| Max. ambient temperature | 80 °C |
| Delivery unit | 5 piece |
| Weight | 0.045 kg |

Material

| | |
|------------------|--------------------------------|
| Housing material | Brass |
| Surface housing | nickel-plated |
| Seal material | Acrylonitrile butadiene rubber |

Series QR2-S-RVT standard

2024-04-10

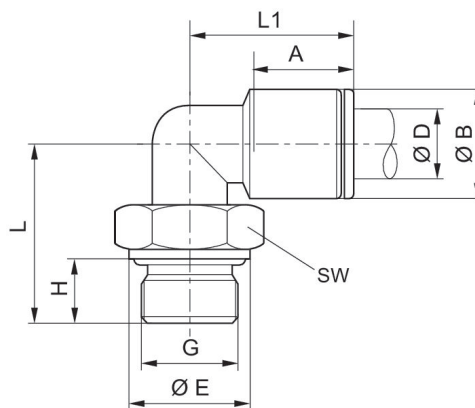
1823391838

| | |
|----------------------------|-----------------|
| Material tooth lock washer | Stainless Steel |
| Material release ring | Brass |
| Surface release ring | nickel-plated |
| Material thread | Brass |
| Surface thread | nickel-plated |
| Part No. | 1823391838 |

Technical information

The series QR1 (plastic) and QR2 (metal) can not be combined

Thread seal with captive O-ring



| Part No. | Port D | Port G | ØB | ØE | H | L | L1 | A Insertion depth | SW |
|------------|--------|--------|----|----|---|------|------|-------------------|----|
| 1823391709 | Ø 4 | M5 | 9 | 8 | 4 | 14.5 | 19 | 14 | 9 |
| 1823391889 | Ø 6 | M5 | 11 | 8 | 4 | 14.5 | 21 | 16 | 9 |
| 1823391885 | Ø 4 | M7 | 9 | 10 | 6 | 16.5 | 18 | 14 | 9 |
| 1823391886 | Ø 6 | M7 | 11 | 10 | 6 | 16.5 | 19.5 | 16 | 9 |
| 1823391710 | Ø 4 | G 1/8 | 9 | 13 | 6 | 20 | 19 | 15 | 13 |
| 1823391711 | Ø 6 | G 1/8 | 11 | 13 | 6 | 20 | 21 | 16 | 13 |
| 1823391712 | Ø 8 | G 1/8 | 13 | 13 | 6 | 20 | 24 | 18 | 13 |
| R412007687 | Ø 10 | G 1/8 | 15 | 13 | 6 | 24 | 27 | 19 | 13 |
| 1823391713 | Ø 4 | G 1/4 | 9 | 16 | 8 | 24 | 19 | 15 | 13 |
| 1823391714 | Ø 6 | G 1/4 | 11 | 16 | 8 | 24 | 21 | 16 | 13 |
| 1823391715 | Ø 8 | G 1/4 | 13 | 16 | 8 | 24 | 24 | 18 | 13 |
| 1823391718 | Ø 10 | G 1/4 | 15 | 16 | 8 | 24 | 27 | 19 | 16 |
| 1823391843 | Ø 12 | G 1/4 | 17 | 16 | 8 | 30.5 | 29 | 20 | 16 |
| 1823391716 | Ø 8 | G 3/8 | 13 | 20 | 9 | 25.5 | 24 | 18 | 13 |
| 1823391717 | Ø 10 | G 3/8 | 15 | 20 | 9 | 28 | 27 | 19 | 16 |
| 1823391838 | Ø 12 | G 3/8 | 17 | 20 | 9 | 28.5 | 28 | 20 | 20 |
| 1823391839 | Ø 14 | G 3/8 | 20 | 20 | 9 | 28.5 | 31 | 22 | 20 |
| R412010182 | Ø16 | G 3/8 | 23 | 20 | 9 | 33.5 | 33 | 23.5 | 20 |

Series QR2-S-RVT standard

2024-04-10

1823391838

| Part No. | Port D | Port G | ØB | ØE | H | L | L1 | A Insertion depth | SW |
|------------|--------|--------|----|----|----|------|----|-------------------|----|
| R412007589 | Ø 10 | G 1/2 | 15 | 25 | 11 | 30 | 27 | 19 | 16 |
| 1823391840 | Ø 12 | G 1/2 | 17 | 25 | 11 | 33.5 | 28 | 20 | 20 |
| 1823391841 | Ø 14 | G 1/2 | 20 | 25 | 11 | 33.5 | 31 | 22 | 20 |
| R412007956 | Ø16 | G 1/2 | 23 | 25 | 11 | 38 | 33 | 23.5 | 20 |