

## AVENTICS Series QR2 Fittings

AVENTICS Series QR2, push-in connectors with easy, secure mounting are available in many versions: In metal for tubing diameters from 3 to 16 mm. QR2 Series offers a cylindric thread that allows repeated connection and release without problems (Quick Release) and captive O-ring guarantees an optimal sealing. Our QR program offers the right solution for every application and industry.



## Technical data

|                                  |                            |
|----------------------------------|----------------------------|
| Industry                         | Industrial                 |
| Fitting type                     | Elbow fitting<br>rotatable |
| Compressed air connection type   | External thread            |
| Port G                           | G 3/8                      |
| Compressed air connection type 2 | push-in fitting            |
| Port D                           | Ø16                        |
| Type                             | QR2-S-RVT                  |
| Min. working pressure            | -0.95 bar                  |
| Max. working pressure            | 16 bar                     |
| Min. ambient temperature         | -20 °C                     |
| Max. ambient temperature         | 80 °C                      |
| Delivery unit                    | 1 piece                    |
| Weight                           | 0.072 kg                   |

## Material

|                  |                                |
|------------------|--------------------------------|
| Housing material | Brass                          |
| Surface housing  | nickel-plated                  |
| Seal material    | Acrylonitrile butadiene rubber |

# Series QR2-S-RVT standard

2024-04-10

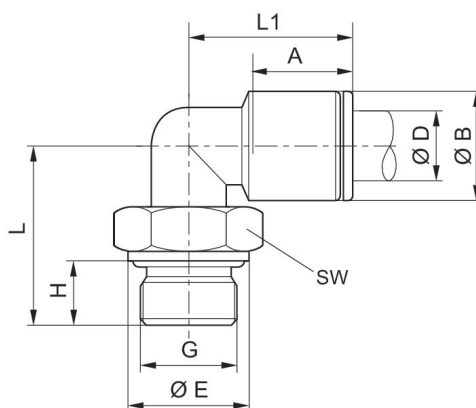
R412010182

|                            |                 |
|----------------------------|-----------------|
| Material tooth lock washer | Stainless Steel |
| Material release ring      | Brass           |
| Surface release ring       | nickel-plated   |
| Material thread            | Brass           |
| Surface thread             | nickel-plated   |
| Part No.                   | R412010182      |

## Technical information

The series QR1 (plastic) and QR2 (metal) can not be combined

Thread seal with captive O-ring



| Part No.   | Port D | Port G | ØB | ØE | H | L    | L1   | A Insertion depth | SW |
|------------|--------|--------|----|----|---|------|------|-------------------|----|
| 1823391709 | Ø 4    | M5     | 9  | 8  | 4 | 14.5 | 19   | 14                | 9  |
| 1823391889 | Ø 6    | M5     | 11 | 8  | 4 | 14.5 | 21   | 16                | 9  |
| 1823391885 | Ø 4    | M7     | 9  | 10 | 6 | 16.5 | 18   | 14                | 9  |
| 1823391886 | Ø 6    | M7     | 11 | 10 | 6 | 16.5 | 19.5 | 16                | 9  |
| 1823391710 | Ø 4    | G 1/8  | 9  | 13 | 6 | 20   | 19   | 15                | 13 |
| 1823391711 | Ø 6    | G 1/8  | 11 | 13 | 6 | 20   | 21   | 16                | 13 |
| 1823391712 | Ø 8    | G 1/8  | 13 | 13 | 6 | 20   | 24   | 18                | 13 |
| R412007687 | Ø 10   | G 1/8  | 15 | 13 | 6 | 24   | 27   | 19                | 13 |
| 1823391713 | Ø 4    | G 1/4  | 9  | 16 | 8 | 24   | 19   | 15                | 13 |
| 1823391714 | Ø 6    | G 1/4  | 11 | 16 | 8 | 24   | 21   | 16                | 13 |
| 1823391715 | Ø 8    | G 1/4  | 13 | 16 | 8 | 24   | 24   | 18                | 13 |
| 1823391718 | Ø 10   | G 1/4  | 15 | 16 | 8 | 24   | 27   | 19                | 16 |
| 1823391843 | Ø 12   | G 1/4  | 17 | 16 | 8 | 30.5 | 29   | 20                | 16 |
| 1823391716 | Ø 8    | G 3/8  | 13 | 20 | 9 | 25.5 | 24   | 18                | 13 |
| 1823391717 | Ø 10   | G 3/8  | 15 | 20 | 9 | 28   | 27   | 19                | 16 |
| 1823391838 | Ø 12   | G 3/8  | 17 | 20 | 9 | 28.5 | 28   | 20                | 20 |
| 1823391839 | Ø 14   | G 3/8  | 20 | 20 | 9 | 28.5 | 31   | 22                | 20 |
| R412010182 | Ø16    | G 3/8  | 23 | 20 | 9 | 33.5 | 33   | 23.5              | 20 |

# Series QR2-S-RVT standard

2024-04-10

R412010182

| Part No.   | Port D | Port G | ØB | ØE | H  | L    | L1 | A Insertion depth | SW |
|------------|--------|--------|----|----|----|------|----|-------------------|----|
| R412007589 | Ø 10   | G 1/2  | 15 | 25 | 11 | 30   | 27 | 19                | 16 |
| 1823391840 | Ø 12   | G 1/2  | 17 | 25 | 11 | 33.5 | 28 | 20                | 20 |
| 1823391841 | Ø 14   | G 1/2  | 20 | 25 | 11 | 33.5 | 31 | 22                | 20 |
| R412007956 | Ø16    | G 1/2  | 23 | 25 | 11 | 38   | 33 | 23.5              | 20 |